



## SSD2405-MNWX

### 24" Resizing LCD, 1000 nits LED backlight, MaxRGB , 1920 x 360

The SSD2405-MNWX is a 24 inch color TFT-LCD display with high brightness 1000 nits and high color saturation. It produces sharp images, crisp text and lifelike colors. The Spanpixel LED backlight technology ensures high reliability and low power consumption, suitable for outdoor application, kiosk, factory automation, military, transportation and gaming application.

#### Key Features

- 24" Resizing LCD
- Ultra-Wide Screen (16 : 3)
- High Brightness 1000 nits
- LED Backlight
- High Color Saturation
- Wide viewing angle 178°(H)~ 178°(V)
- Low Power Consumption
- BL MTBF: 100,000 hours



### Specifications

Model Name	SSD2405-MNWX
Description	24" Resizing LCD, 1000 nits LED backlight, MaxRGB, 1920x360
Screen Size	24"
Display Area (mm)	597.6(H) x 112.05(V)
Brightness	1000 cd/m <sup>2</sup>
Resolution	1920x360
Aspect Ratio	16 : 3
Contrast Ratio	5400 : 1
Pixel Pitch (mm)	0.31125(H) x 0.31125(V)
Pixel Per Inch (PPI)	81
Viewing Angle	178°(H),178°(V)
Color Saturation (NTSC)	88%
Display Colors	16.7M
Response Time (Typical)	20ms
Panel Interface	LVDS
Video Interface	HDMI, DP
Input Power	DC12V
Power Consumption	27W
OSD Key	4 Keys (Power Switch, Menu, +, -)
OSD Control	Brightness, Color, Contrast, Auto Turing, H/V Position...etc
Dimensions (mm)	617.9 x 141.95 x 44.15
Bezel Size(U/B/L/R)	16.2/13.7/10.15/10.15
Mounting (mm)	75x75, 250x75
Weight (Net)	2.6 kg
Operating Temperature	0 °C ~ 50 °C
Storage Temperature	-20 °C ~ 60 °C

SSD= Panel + LED Driving Board + AD Control Board + Housing

Specifications are subject to change without notice.

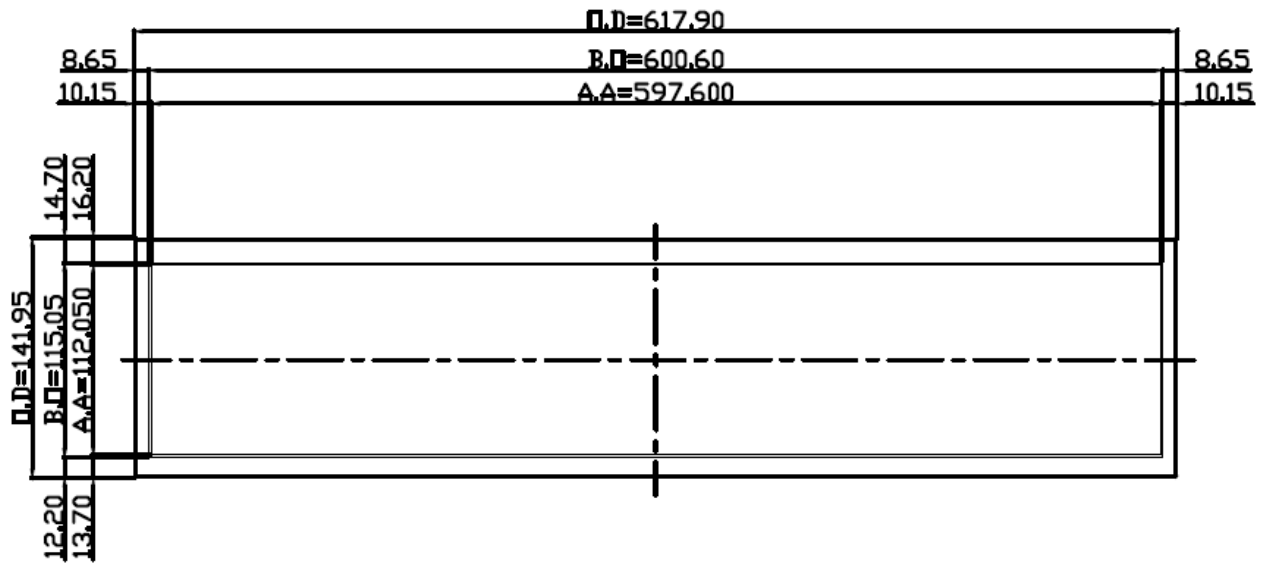
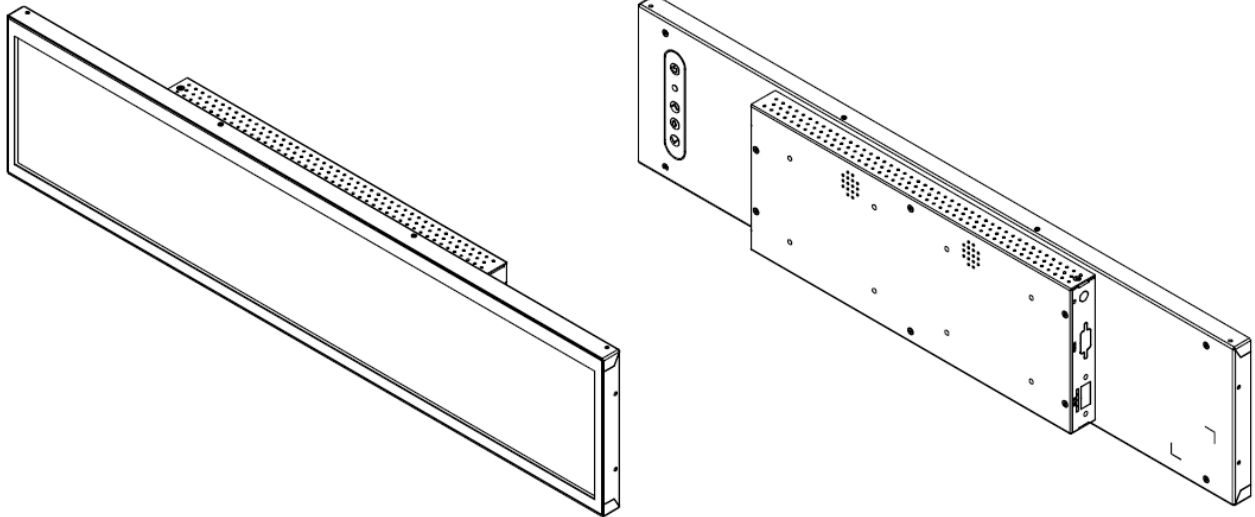
All brands or product names are trademarks or registered trademarks of their respective companies.

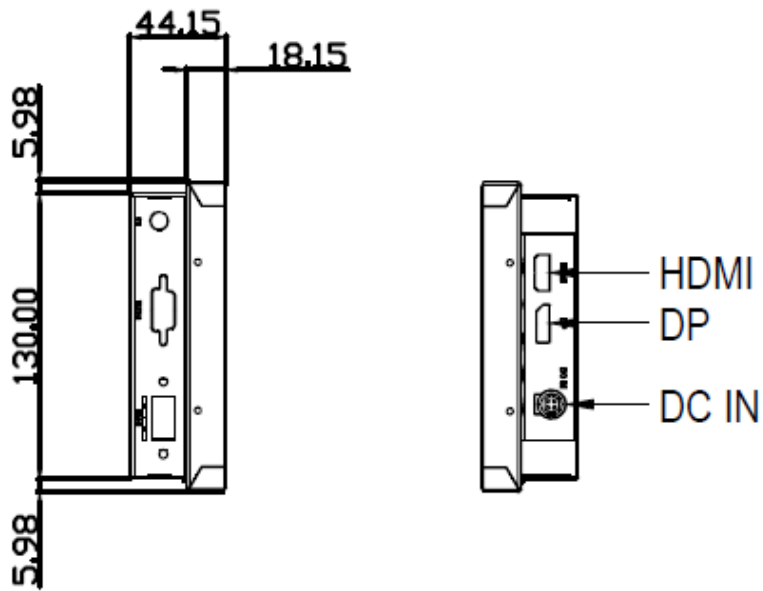
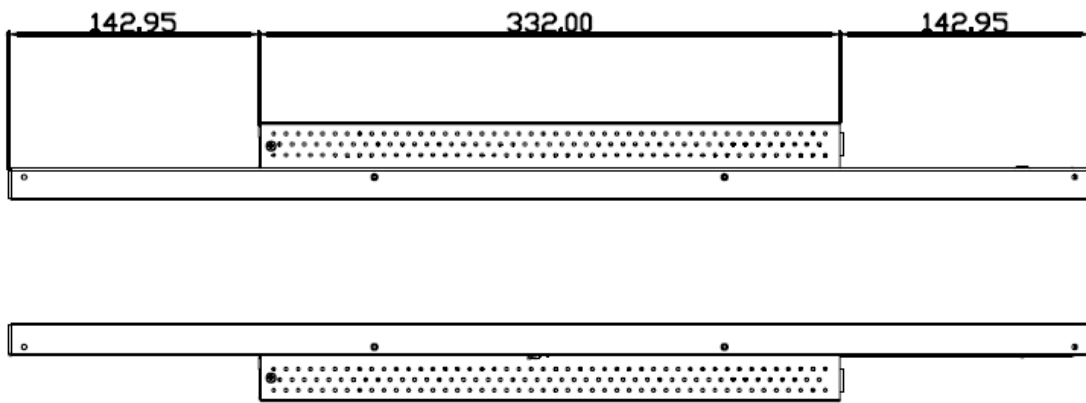


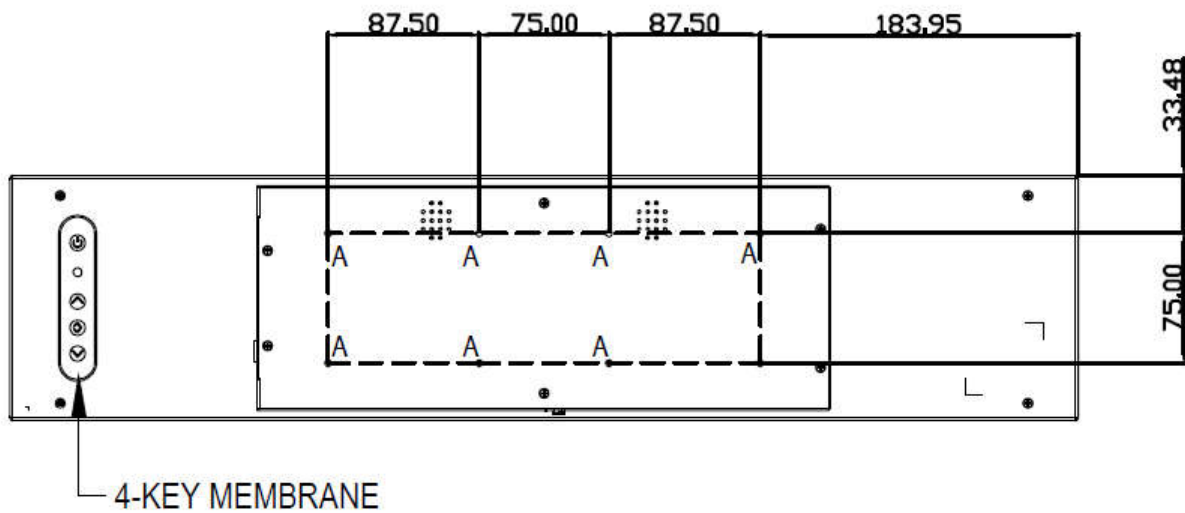
## Mechanical Drawing

Outline Dimensions

Unit: mm







Note :

O.D. : OUTLINE DIMENSION

B.O. : BEZEL OPENING

A.A. : LCD ACTIVE AREA

A : 8-M4\_USER HOLE\_MAX DEPTH=5 mm

### Ordering Information

Part Number	Description
SSD2405-MNW-T11	24", 1000nits, 1920x360, MaxRGB, HVN, AD68862HP, LID24C, O/B, DC12V, 5in1, V1

### Optional Accessories

Part Number	Description
810618301010	CABLE.POWER.AC.1830mm USA type
810618301090	CABLE.POWER.AC.1830mm Europe type
810618301050	CABLE.POWER.AC.1830mm UK type
810618301170	CABLE.POWER.AC.1830mm Australia type
810618301031	CABLE.POWER.AC.1830mm Japan type

### By Customer Request

Glass	Tempered glass, AR coating.....
Touch	PCT, SCT, Resistive.....