



SSD2945-A

29.4" Resizing LCD, 1000 nits LED backlight, 1920 x 720

The SSD2945-A is a 29.4 inch color TFT-LCD display with high brightness 1000 nits and high color saturation. It produces sharp images, crisp text and lifelike colors. The Spanpixel LED backlight technology ensures high reliability and low power consumption, suitable for outdoor application, kiosk, factory automation, military, transportation and gaming application.

Key Features

- 29.4" Resizing LCD
- Ultra-Wide Screen (16: 6)
- High Brightness 1000 nits
- LED Backlight
- Wide viewing angle 178°(H)~178°(V)
- Low Power Consumption
- BL MTBF: 100,000 hours



Specifications

| | |
|--------------------------------|--|
| Model Name | SSD2945-A |
| Description | 29.4" Resizing LCD, 1000 nits LED backlight, 1920x720 |
| Screen Size | 29.4" |
| Display Area (mm) | 698.4(H) x 261.9(V) |
| Brightness | 1000 cd/m ² |
| Resolution | 1920x720 |
| Aspect Ratio | 16 : 6 |
| Contrast Ratio | 5400 : 1 |
| Pixel Pitch (mm) | 0.36375(H) x 0.36375(V) |
| Pixel Per Inch (PPI) | 70 |
| Viewing Angle | 178°(H), 178°(V) |
| Color Saturation (NTSC) | 87% |
| Display Colors | 16.7M |
| Response Time (Typical) | 6.5ms |
| Panel Interface | LVDS |
| Video Interface | HDMI, DP |
| Input Power | DC12V |
| Power Consumption | 40W |
| OSD Key | 4 Keys (Power Switch, Menu, +, -) |
| OSD Control | Brightness, Color, Contrast, Auto Turing, H/V Position...etc |
| Dimensions (mm) | 738 x 305.2 x 61.9 |
| Bezel Size(U/B/L/R) | 24/19.3/19.8/19.8 |
| Mounting (mm) | 75x75, 400x75 |
| Weight (Net) | 6.8 kg |
| Operating Temperature | 0 °C ~ 50 °C |
| Storage Temperature | -20 °C ~ 60 °C |

SSD = Panel + LED Driving Board + AD Control Board + Housing

Specifications are subject to change without notice.

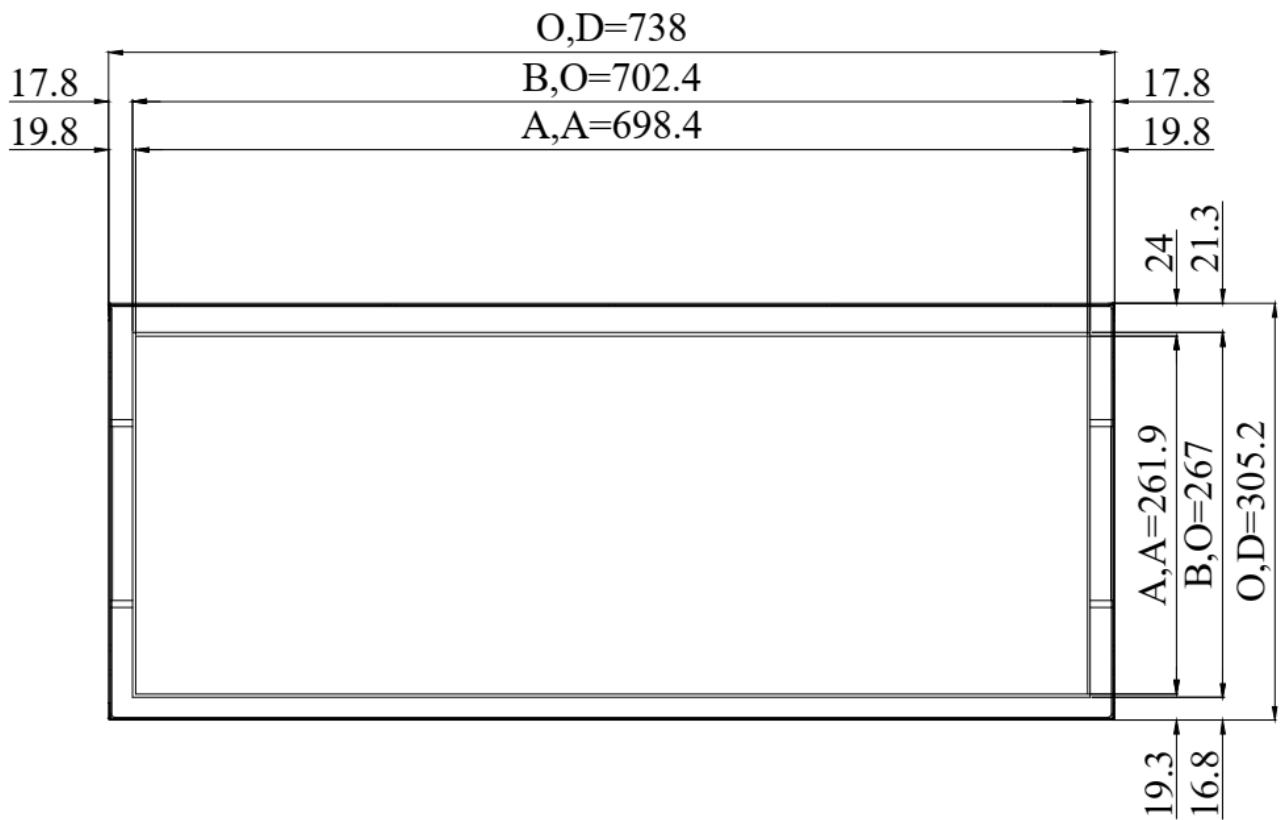
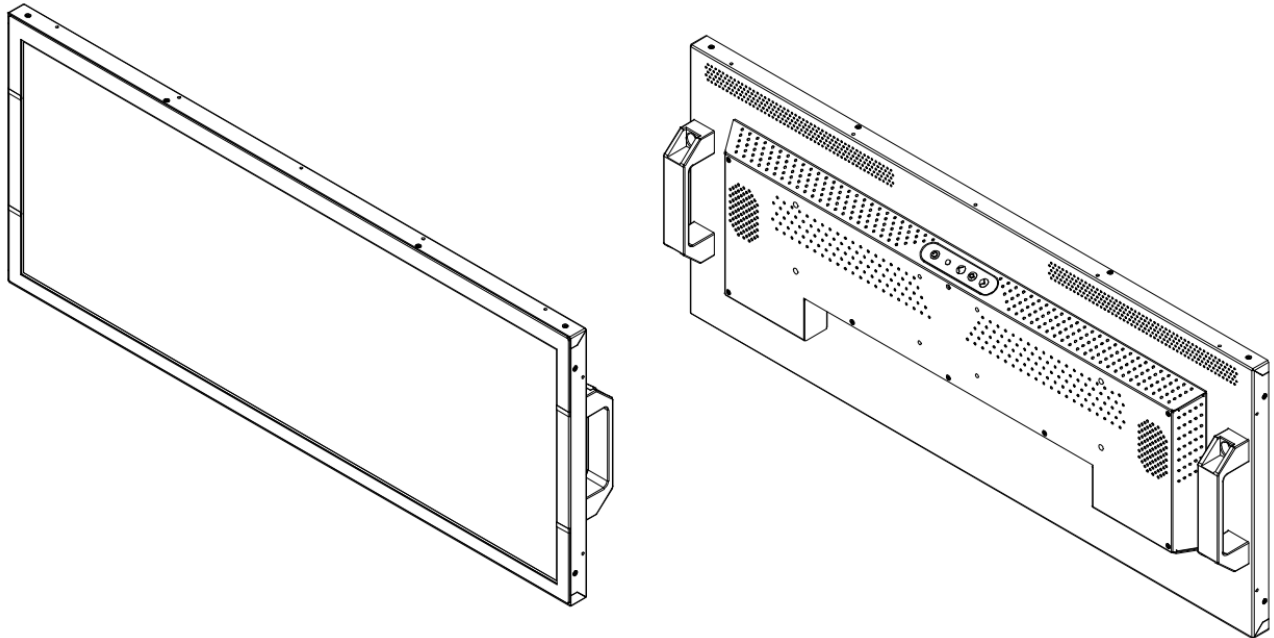
All brands or product names are trademarks or registered trademarks of their respective companies.

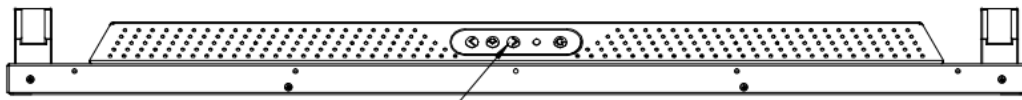


Mechanical Drawing

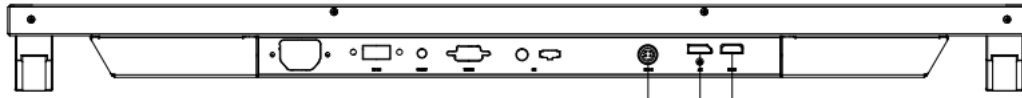
Outline Dimensions

Unit: mm

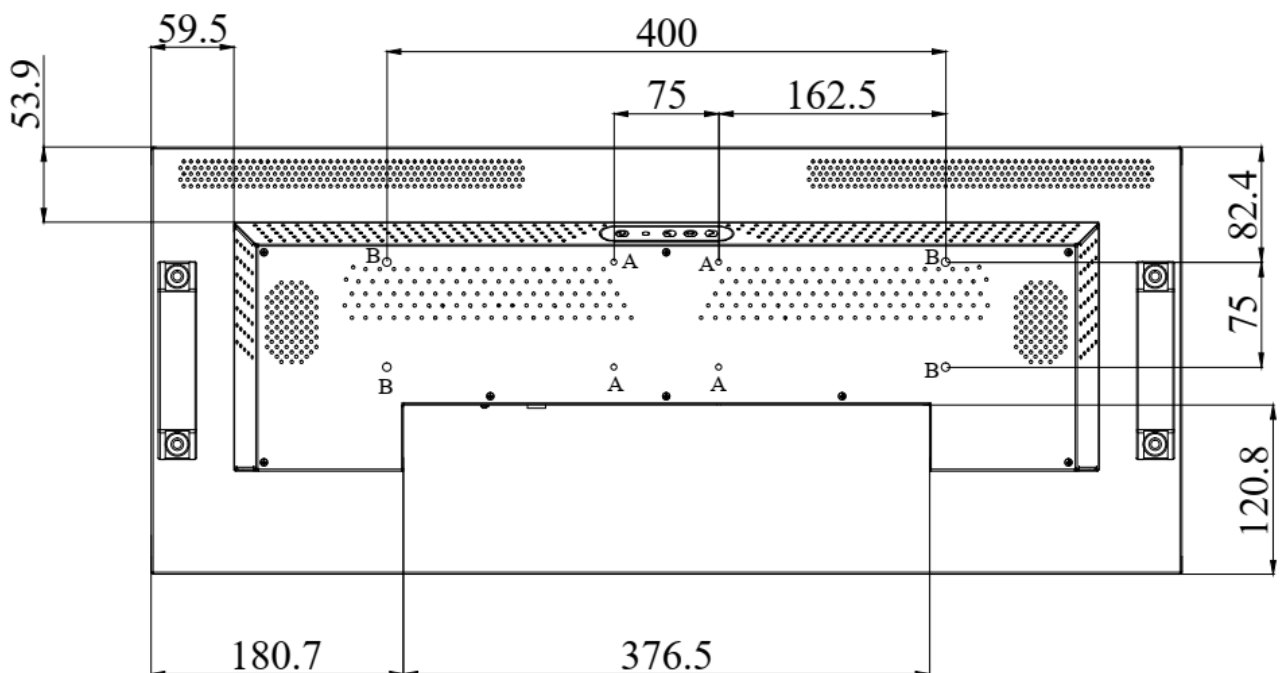
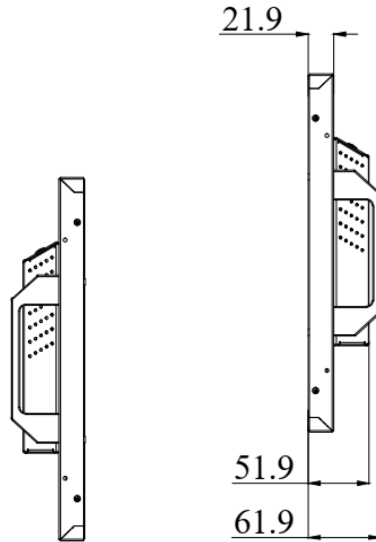




MEMBRANE 4-KEY



HDMI
DP
DC IN





NOTE :

O.D. : OUTLINE DIMENSION

B.O. : BEZEL OPENING

A.A. : LCD ACTIVE AREA

A : 4-M4_VESA HOLE_Max Depth=5 mm

B : 4-M6_VESA HOLE_Max Depth=7 mm

All mechanical parts are with black painted

Ordering Information

| Part Number | Description |
|------------------------|--|
| SSD2945-ANB-T11 | 29.4",1000nits,1920x720,LID29C,AD68862HP,O/B,DC12V,3in1,V1 |
| | |

Optional Accessories

| Part Number | Description |
|---------------------|--|
| 840612051212 | ADAPTER,AC/DC,12V/5 A,60W,Power-Din-4P,CWT,G99-ABF060F-N022,Efficiency-level-6,R |
| 810618301010 | CABLE.POWER.AC.1830mm USA type |
| 810618301090 | CABLE,POWER,AC,1830mm Europe type |
| 810618301050 | CABLE.POWER.AC.1830mm UK type |
| 810618301170 | CABLE.POWER,AC,1830mm Australia type |
| 810618301031 | CABLE.POWER.AC.1830mm Japan type |

By Customer Request

| | |
|--------------|---------------------------------|
| Glass | Tempered glass, AR coating..... |
| Touch | PCT, SCT, Resistive..... |