



DLD2388-N 23.8" TFT LCD, 1600 nits LED Backlight, 1920x1080

The DLD2388-N is a 23.8 inch industrial grade sunlight readable LCD, with high brightness 1600 nits, it produces sharp images, crisp text and lifelike colors. The Durapixel LED backlight technology ensures high reliability and low power consumption, suitable for outdoor application, kiosk, factory automation, military, transportation and gaming application.

Key Features

- High Brightness 1600 nits
- Sunlight Readable
- LED Backlight
- Low Power Consumption
- Wide Temperature (-30 °C ~ 80 °C)
- BL MTBF: 100,000 hours



Specifications

Model Name	DLD2388-N
Description	23.8" TFT LCD, 1600 nits LED Backlight, 1920x1080
Screen Size	23.8"
Display Area (mm)	527.04(H) x 296.46(V)
Brightness	1600 cd/m ²
Resolution	1920x1080
Aspect Ratio	16 : 9
Contrast Ratio	1200 : 1
Pixel Pitch (mm)	0.2745(H) x 0.2745 (V)
Pixel Per Inch (PPI)	93
Viewing Angle	176°(H),176°(V)
Color Saturation (NTSC)	84%
Display Colors	16.7M
Response Time (Typical)	25ms
Panel Interface	LVDS
Input Interface	HDMI, DP
Input Power	DC12V
Power Consumption	46W
OSD Key	4 Keys (Power Switch, Menu, +, -)
OSD Control	Brightness, Color, Contrast, Auto Turing, H/V Position...etc
Dimensions (mm)	548.2 x 322.7 x 52 mm
Bezel Size(U/B/L/R)	12.7/13.6/10.6/10.6 mm
Weight (Net)	5.24kg
Mounting	75x75, 100x100
Operating Temperature	-30 °C ~ 80 °C
Storage Temperature	-40 °C ~ 80 °C

DLD= Panel + LED Driving Board + AD Control Board + Housing

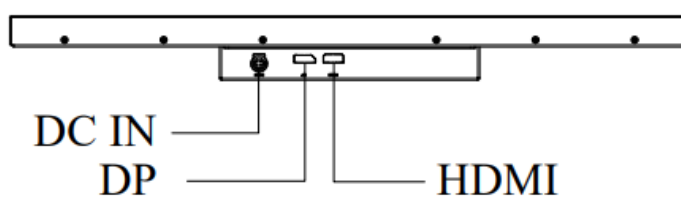
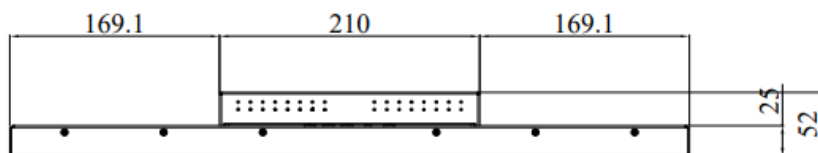
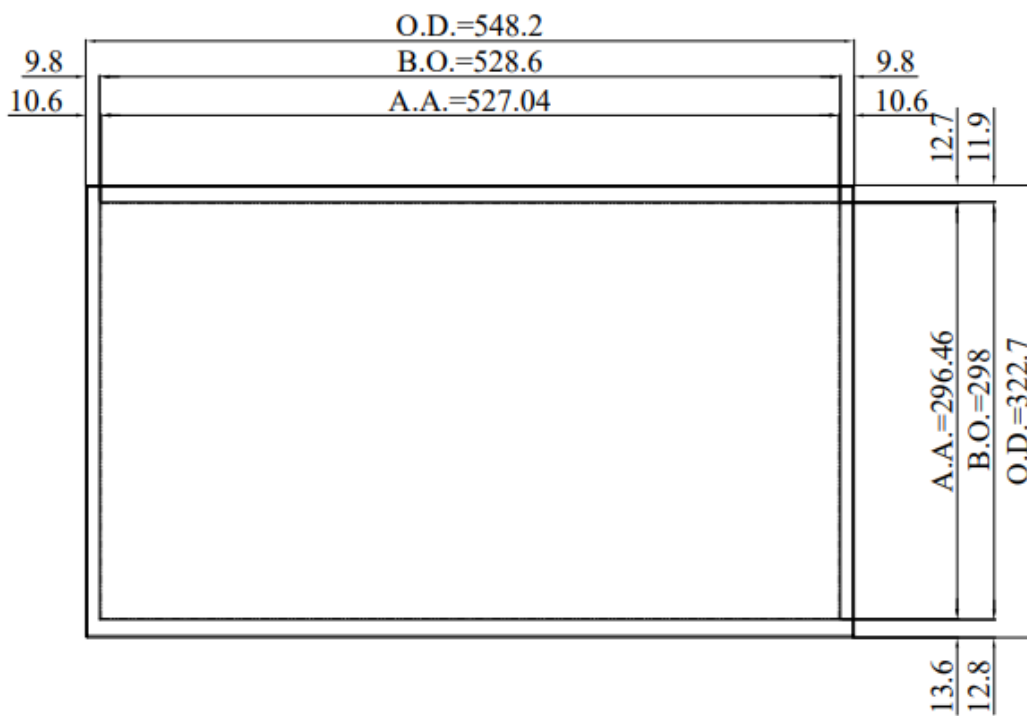
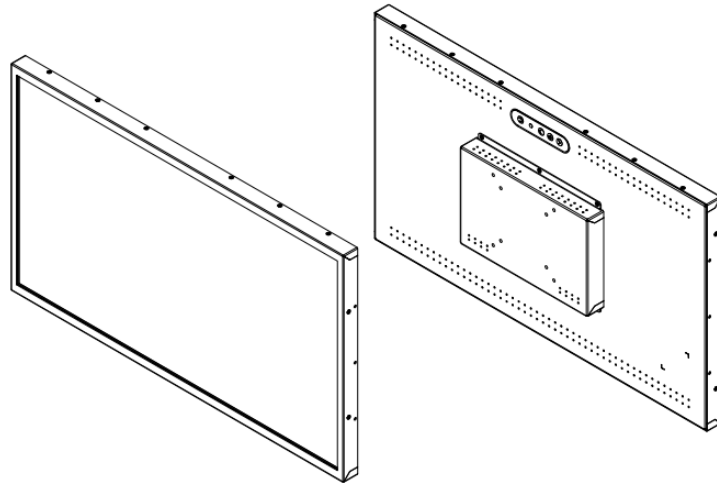
Specifications are subject to change without notice.
All brands or product names are trademarks or registered trademarks of their respective companies.

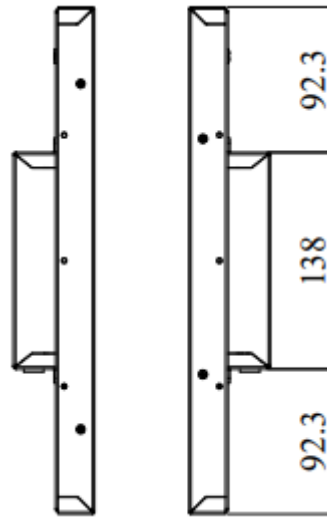


Mechanical Drawing

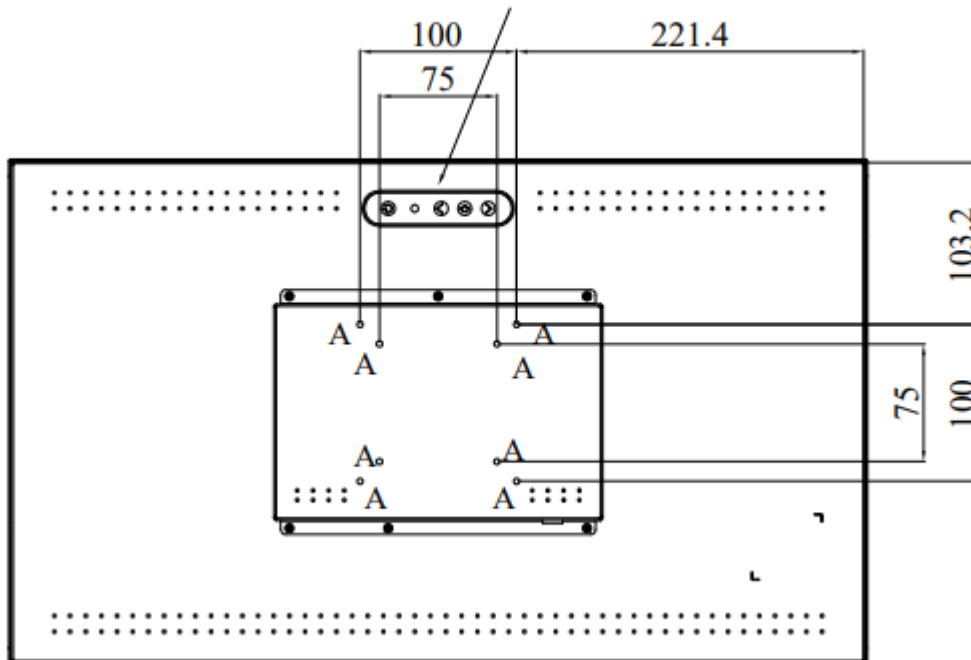
Outline Dimensions

Unit: mm





MEMBRANE 4-KEYS



NOTE :

O.D. : OUTLINE DIMENSION

B.O. : BEZEL OPENING

A.A. : ACTIVE AREA

A : 4-M4_USER HOLE_MAX Depth=4mm



Ordering Information

Part Number	Description
DLD2388-NNB-T11	23.8",1600nits,1920x1080,T3080,LID23C,AD68862HP,O/B,DC12V,5in1,V1

Optional Accessories

Part Number	Description
840612051212	ADAPTER,AC/DC,12V/5A,60W,Power-Din-4P,CWT,G99-ABF060F-N022,Efficiency-level-6,R
810618301010	CABLE,POWER,AC,1830mm USA type
810618301090	CABLE,POWER,AC,1830mm Europe type
810618301050	CABLE,POWER,AC,1830mm UK type
810618301170	CABLE,POWER,AC,1830mm Australia type
810618301031	CABLE,POWER,AC,1830mm Japan type

Customer request

Touch	SCT (Single-Touch), PCT (Multi-Touch)
Glass	Tempered glass, AR coating.....