



## DLD1048-I 10.4" TFT LCD, 1600 nits LED Backlight, 1024x768

The DLD1048-I is a 10.4 inch industrial grade sunlight readable LCD, with high brightness 1600 nits, it produces sharp images, crisp text and lifelike colors. The Durapixel LED backlight technology ensures high reliability and low power consumption, suitable for outdoor application, kiosk, factory automation, military, transportation and gaming application.

### Key Features

- 10.4" sunlight readable, high brightness
- Resolutions: 1024x768
- LED Backlight
- Aspect ratio of 4:3
- Wide temperature (-20°C~70°C)
- Low power consumption
- BL MTBF: 100,000 hours



## Specifications

<b>Model Name</b>	<b>DLD1048-I</b>
<b>Description</b>	10.4" TFT LCD, 1600nits LED Backlight, 1024x768
<b>Screen Size</b>	10.4"
<b>Display Area (mm)</b>	210.432 (H) x 157.824(V) mm
<b>Brightness</b>	1600 cd/m <sup>2</sup>
<b>Resolution</b>	1024x768
<b>Aspect Ratio</b>	4:3
<b>Contrast Ratio</b>	1000 : 1
<b>Pixel Pitch (mm)</b>	0.2055(H) x 0.2055(V)
<b>Pixel Pre Inch (PPI)</b>	123
<b>Viewing Angle</b>	176°(H),176°(V)
<b>Color Saturation (NTSC)</b>	84%
<b>Display Colors</b>	16.2M
<b>Response Time (Typical)</b>	25ms
<b>Panel Interface</b>	LVDS
<b>Input Interface</b>	VGA, DVI-D, HDMI
<b>Input Power</b>	DC 12V
<b>Power Consumption</b>	11W
<b>OSD Key</b>	4 Keys (Power Switch, Menu, +, -)
<b>OSD Control</b>	Brightness, Color, Contrast, H/V Position...etc
<b>Dimensions (mm)</b>	232.4 x 183 x 46.2 (T)
<b>Bezel Size(U/B/L/R)</b>	12.59/12.59/10.98/10.98 mm
<b>Mounting</b>	75 x 75 mm
<b>Weight (Net)</b>	1.4 kg
<b>Operating Temperature</b>	-20°C ~ 70°C
<b>Storage Temperature</b>	-30°C ~ 85°C

**DLD**= Panel + LED Driving Board + AD Control Board + Chassis

*Specifications are subject to change without notice.*

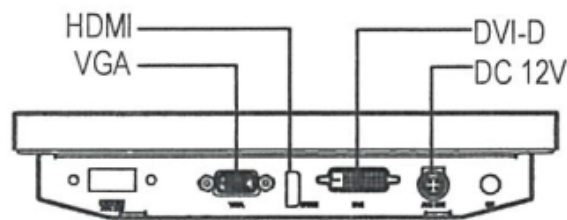
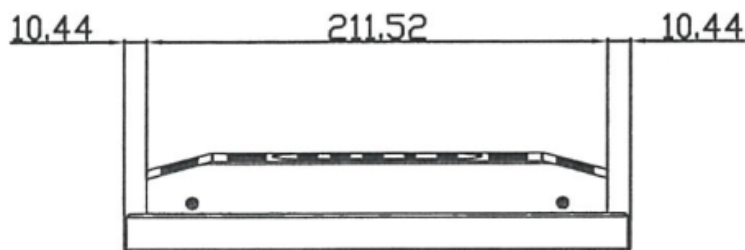
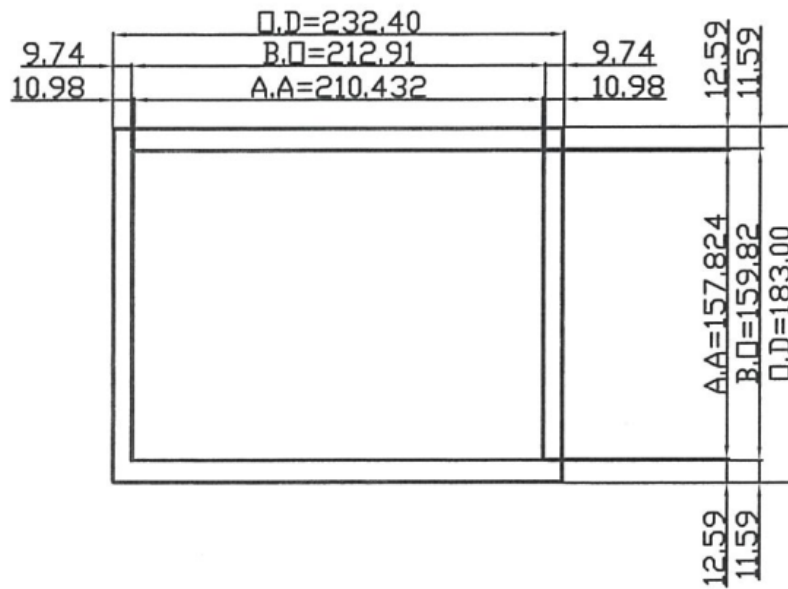
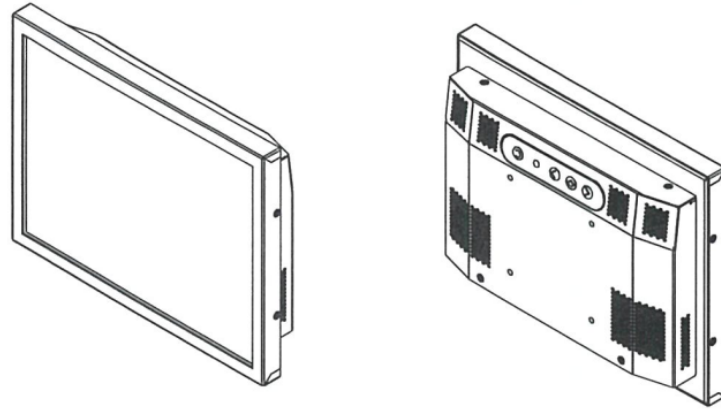
*All brands or product names are trademarks or registered trademarks of their respective companies.*

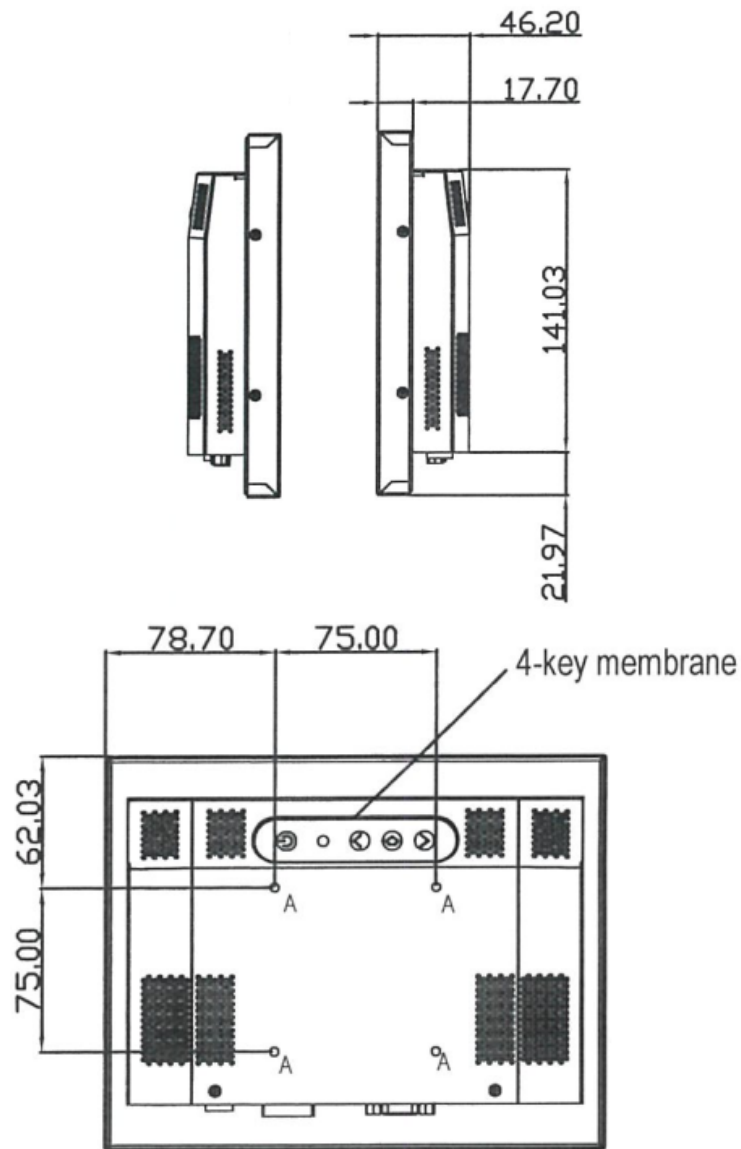


## Mechanical Drawing

### Outline Dimensions

Unit:mm





**Note :**

O.D. : OUTLINE DIMENSION

B.O. : BEZEL OPENING

A.A. : LCD ACTIVE AREA

A : 4-M4\_USER HOLE\_MAX Depth=5mm



### Ordering Information

Part Number	Description
DLD1048-INB-Q11	10.4",1600nits,1024x768,T2070,LID10C,AD8891GDH,O/B,DC12V,5in1,V1

### Optional Accessories

Part Number	Description
840612051212	ADAPTER,AC/DC,12V/5A,60W.Power-Din-4P,CWT.G99-ABF060F-N022.Efficiency-level-6,R
810618301010	CABLE,POWER,AC,1830mm USA type
810618301090	CABLE,POWER,AC,1830mm Europe type
810618301050	CABLE,POWER,AC,1830mm UK type
810618301170	CABLE,POWER,AC,1830mm Australia type
810618301030	CABLE,POWER,AC,1830mm Japan type