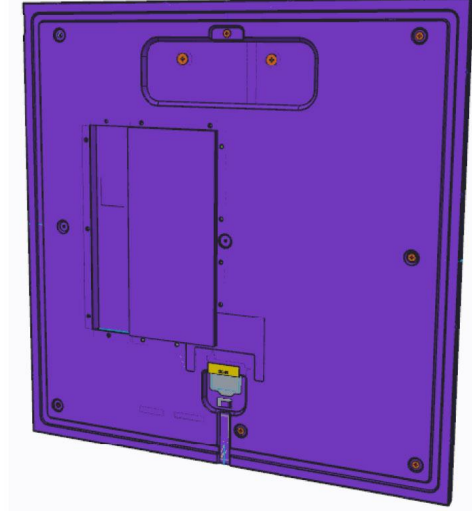
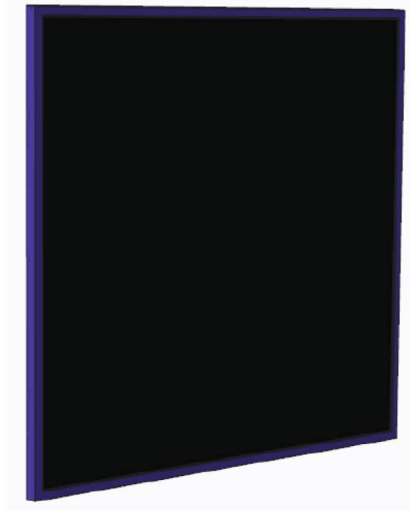


# Digital Art Canvas

## 265 Mini HDMI モデル



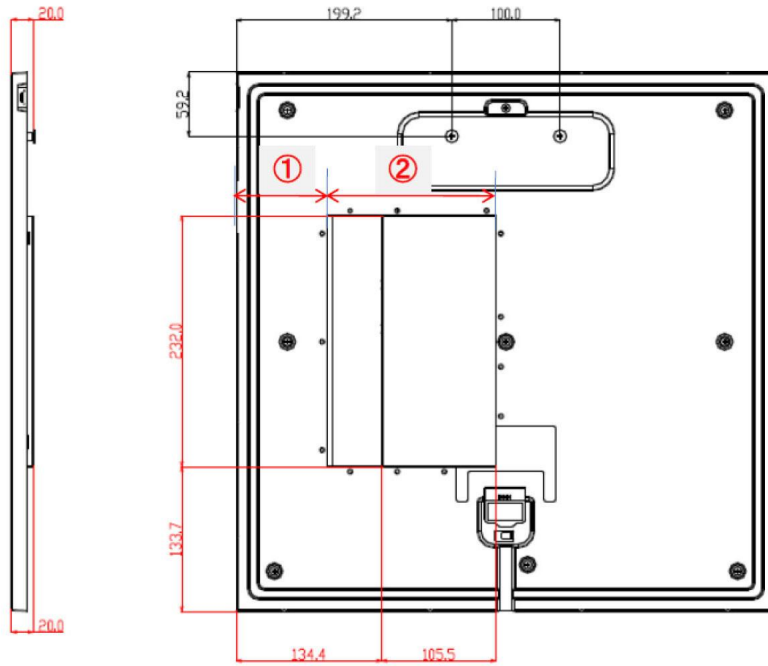
### 製品の仕様

Display		Power				
Active screen size	26.49 inches (672.85mm) diagonal	Power consumption	Normal operation 58W Stand by Under 3.0W			
Resolution	1920 × 1920 pixels	Power supply	DC Voltage 24V / 3~4 A (Adapter)			
Luminance, white	450 nit ( center 1 point, typical )	Power source	AC Voltage 100~240V / 50~60Hz			
Color gamut	NTSC 92% (wide color gamut LED applied)	Processor				
Color depth	8-bit, 16.7 M colors	CPU	RK3229 (Rockchip)			
Viewing angles	Viewing angle free R/L 178 (Min.), U/D 178 (Min.)	CPU speed	Cortex-A7 @ 1.5GHz			
Response time	14ms (gray to gray)	Number of cores	Quad			
Backlight	Edge LED	GPU	ARM Mali-400MP2			
Connectors and I/O Ports		Storage				
	Front	Rear	Side	Remarks	RAM / ROM	2GByte (DDR3) / 8GByte (eMMC)
RS-232C		O		For white balance adjustment only	External memory	Micro SD
RS-232C		O		For serial communication	Networking	
Micro USB		O		OTG	3G / LTE	N/A
Micro USB		O		Host	Wi-Fi	Wi-Fi 802.11 a/b/g/n
HDMI input		O		Mini HDMI	Bluetooth	BT 4.0
Ethernet		O		Flat connector	NFC	N/A
Micro SD		O		For external SD memory card	GNSS (GPS)	N/A
Stereo sound output		O		With amplifier (Optional)	Environmental Requirements	
DC adapter jack		O		USB type C	Operating temperature	5 ~ 35℃
Wi-Fi antenna			O		Operating humidity	20 ~ 80%
Power button			O		Physical	
Software		Outline dimension	498.4 × 498.4 × 20.0 mm (W×H×D) *Maximum thickness			
Operating system	Android 5.1 Lollipop	Bezel	On 11.3 / Off 9.9 mm even bezel			
Preinstalled apps	N/A	Weight	3.2kg (Typ. without a power adapter)			
Video support	H.263, H.264(AVC), MPEG4, VC-1, Sorenson Spark, MP43, WMV7, WMV8, VP8 15fps 1080p (H264 BP) 30fps 720p (MPEG-4 / H.263 / DivX 4/5/6) 30fps FWVGA (VC-1/VP8) H.265 (HEVC) : WVGA at 30fps, 720p at 30fps	Packing		製品のお見積り・お問い合わせは 株式会社プラズモニックジャパン までご連絡ください。 連絡先 : (045) 663 1402 メール : info@plazmonic.jp		
Audio support	MP3, AMR-NB, AMR-WB, AAC, AAC+, eAAC+, WMA, Vorbis, FLAC	Outline dimension	565.0 × 580.0 × 110.0 mm (W×H×D)			
Packing		Weight	5.2kg (Typ. with package and accessories)			



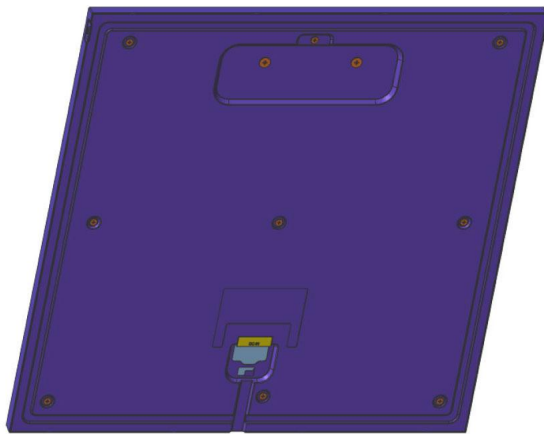
製品のお見積り・お問い合わせは  
株式会社プラズモニックジャパン までご連絡ください。  
連絡先 : (045) 663 1402 メール : info@plazmonic.jp

# 製品の寸法

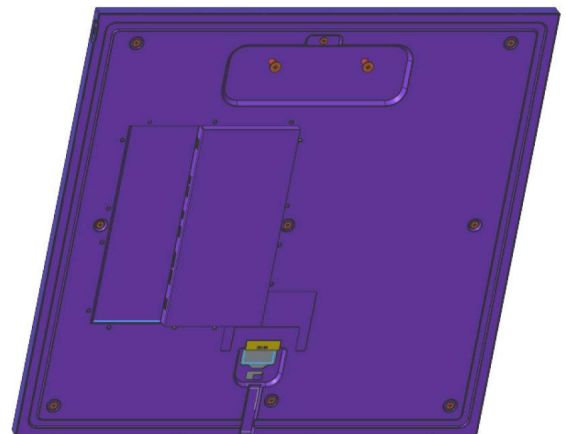


①サイズ : 55.8mm

②サイズ : 183mm



Wi-fiモデル



Mini HDMI モデル