



DLD6501-B 65" TFT LCD, 2500 nits LED backlight, 3840 x 2160

The DLD6501-B is a 65 inch industrial grade sunlight readable LCD, with high brightness 2500 nits, it produce sharp images, crisp text and lifelike colors. The Durapixel LED backlight technology ensures high reliability and low power consumption, suitable for outdoor application, kiosk, factory automation, military, transportation and gaming application.

Key Features

- High Brightness 2500 nits
- Sunlight Readable
- LED Backlight
- Low Power Consumption
- LCD Blacking Defect Free (Hi-Tni 110°C)
- Wide Temperature -20 °C ~ 60 °C
- BL MTBF: 100,000 hours



Specifications

| | |
|--------------------------------|--|
| Model Name | DLD6501-B |
| Description | 65" TFT LCD, 2500 nits LED backlight, 3840 x 2160 |
| Screen Size | 65" |
| Display Area (mm) | 1428.48(H) x 803.52(V) |
| Brightness | 2500 cd/m ² |
| Resolution | 3840 x 2160 |
| Aspect Ratio | 16 : 9 |
| Contrast Ratio | 1000 : 1 |
| Pixel Pitch (mm) | 0.372(H) x 0.372(V) |
| Pixel Per Inch (PPI) | 67 |
| Viewing Angle | 178°(H),178°(V) |
| Color Saturation (NTSC) | 79% |
| Display Colors | 1.07G |
| Response Time (Typical) | 8ms |
| Panel Interface | V-by-One |
| Input Interface | DVI-D, HDMI, DP |
| Input Power | AC100~240V |
| Power Consumption | 416W |
| OSD Key | 5 Keys (Power Switch, Menu, +, Exit, -) |
| OSD Control | Brightness, Color, Contrast, Auto Turing, H/V Position...etc |
| Dimensions (mm) | 1474.2 x 849.2 x 96.01 |
| Bezel Size(U/B/L/R) | 22.84/22.84/22.86/22.86 mm |
| Weight | 48 kg |
| Mounting | 400x200mm , 400x400mm |
| Operating Temperature | -20 °C ~ 60 °C |
| Storage Temperature | -20 °C ~ 60 °C |

DLD = Panel + LED Driving Board + AD Control Board + Chassis

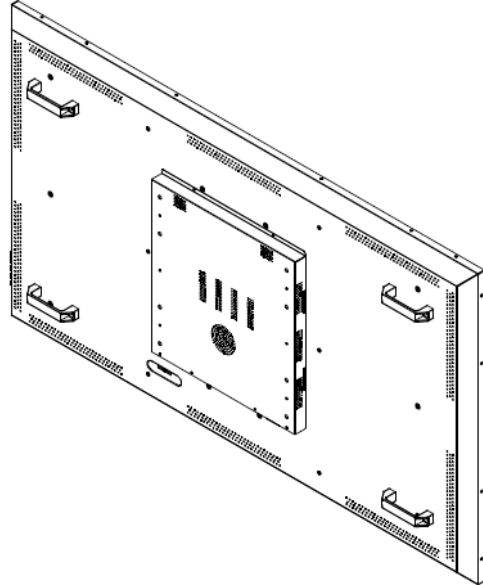
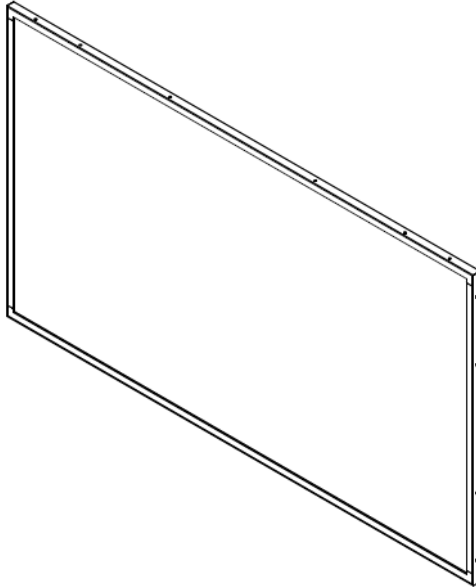
Specifications are subject to change without notice.
All brands or product names are trademarks or registered trademarks of their respective companies.

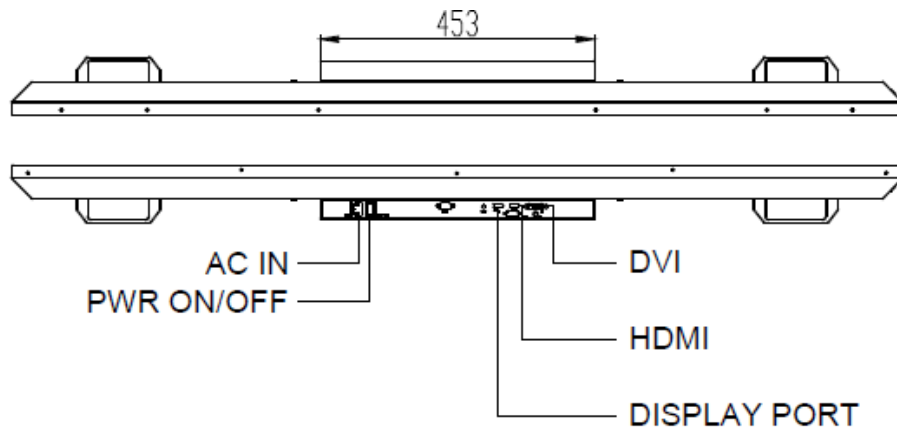
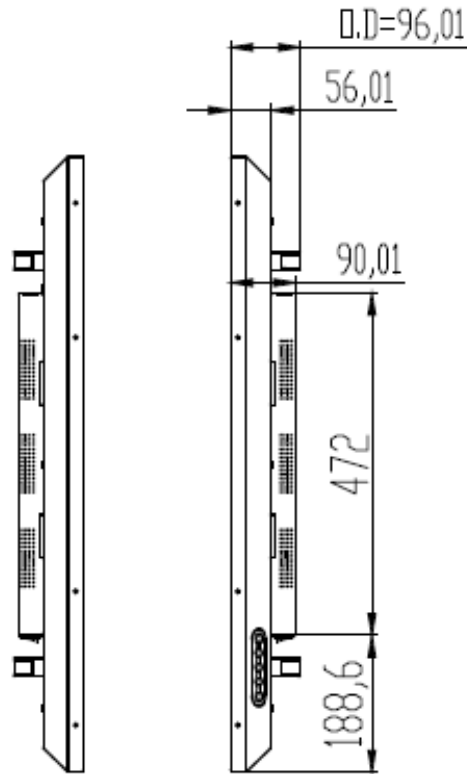


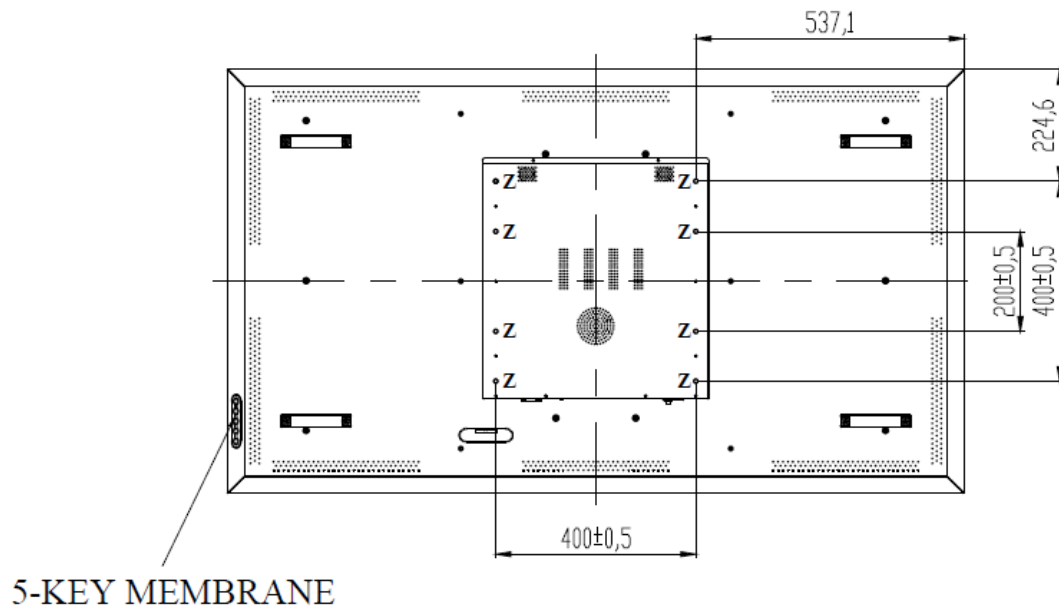
Mechanical Drawing

Outline Dimensions

Unit:mm







Note:
 O.D : Outline Dimension
 B.O : Bezel Opening
 A.A : LCD Active Area
 Z:8-M8 USER HOLE _MAX. DEPTH=12mm

Ordering Information

| Part Number | Description |
|------------------------|---|
| DLD6501-BNU-N11 | 65",2500nits,3840x2160,T2060,HTni,LID65B,AD2796DHP, Speaker*2,O/B,AC100~240V,V1 |
| | |

Optional Accessories

| Part Number | Description |
|---------------------|--------------------------------------|
| 810618301010 | CABLE,POWER,AC,1830mm USA type |
| 810618301090 | CABLE,POWER,AC,1830mm Europe type |
| 810618301050 | CABLE,POWER,AC,1830mm UK type |
| 810618301170 | CABLE,POWER,AC,1830mm Australia type |
| 810618301031 | CABLE,POWER,AC,1830mm Japan type |
| | |

Customer request

| | |
|--------------|---------------------------------|
| Touch | PCT (Multi-Touch) |
| Glass | Tempered glass, AR coating..... |