



## SSD2312-Y V1

### 23.1" TFT LCD, LED backlight 350 nits, 1920 x158

The SSD2312-Y is a 23.1 inch color TFT-LCD display with brightness 350nits and special resolution 1920 x 158. It is Litemax's Spanpixel series product which designed for high brightness with power efficiency LED backlight. It provides LCD panel with specific aspect ratios and sunlight readable for digital signage, public transportation, exhibition hall, department store, and vending machine.

#### Key Features

- Ultra-Wide Screen (16: 1.3)
- Brightness 350 nits
- LED Backlight
- Wide viewing angle 178°(H)~178°(V)
- Low Power Consumption



### Specifications

<b>Model Name</b>	<b>SSD2312-Y V1</b>
<b>Description</b>	23.1" Resizing LCD, 350nits LED backlight, 1920x158
<b>Screen Size</b>	23.1"
<b>Display Area (mm)</b>	585.6(H) x 48.19(V)
<b>Brightness</b>	350 cd/m <sup>2</sup>
<b>Resolution</b>	1920x158
<b>Aspect Ratio</b>	16 : 1.3
<b>Contrast Ratio</b>	3000:1
<b>Pixel Pitch (mm)</b>	0.305(H) x 0.305(V)
<b>Pixel Per Inch (PPI)</b>	83
<b>Viewing Angle</b>	178°(H), 178°(V)
<b>Color Saturation (NTSC)</b>	72%
<b>Display Colors</b>	16.7M
<b>Response Time (Typical)</b>	9.5ms
<b>Media Player Card Interface</b>	Micro-USB, Micro-SD card
<b>Input Power</b>	DC12V
<b>Power Consumption</b>	10W
<b>Dimensions (mm)</b>	597.4x 60.4 x 16
<b>Bezel Size(U/B/L/R)</b>	5.2/5.2/4.6/6.2 mm
<b>Mounting</b>	320x45 , 100x40 , 75x40
<b>Weight (Net)</b>	0.8kg
<b>Operating Temperature</b>	0 °C ~ 45 °C
<b>Storage Temperature</b>	-20 °C ~ 60 °C

**SSD = Panel + LED Driving Board + Mediaplayer Card + Housing**

<お問い合わせ> 株式会社プラズモニクジャパン  
info@plazmonic.jp / 045-663-1402

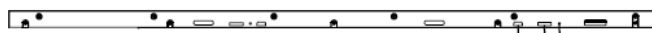
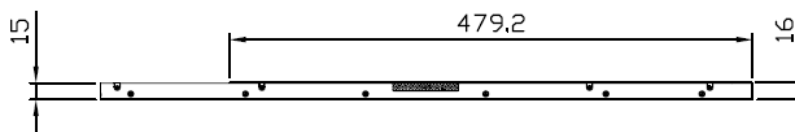
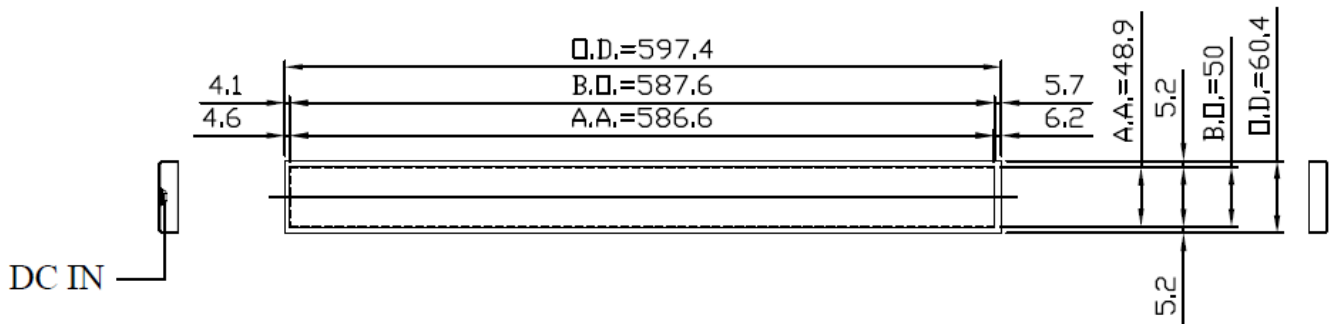
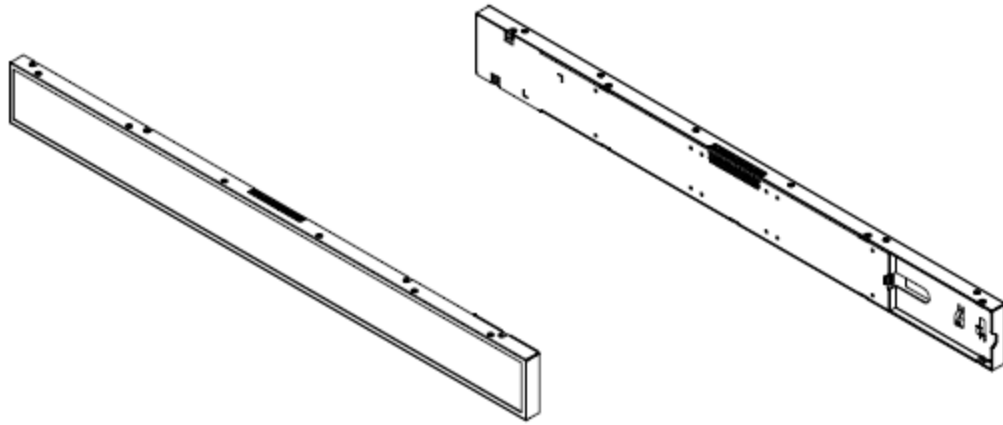
Specifications are subject to change without notice.  
All brands or product names are trademarks or registered trademarks of their respective companies.



## Mechanical Drawing

### Outline Dimensions

Unit:mm



RESET  
 MICRO SD CARD  
 MICRO USB

