



SSD2368-C

23.6" TFT LCD, 1600nits LED Backlight, 1280 x 1280, Circle Display

The SSD2368-C is a 23.6 inch color TFT-LCD display with brightness 1600 nits, special aspect ratio 1:1 and wide resolution 1280x1280. It is Litemax's Circlepixel series product which designed for high brightness with power efficiency LED backlight. It provides LCD panel with specific aspect ratios and sunlight readable for digital signage, public transportation, exhibition hall, department store, and vending machine.

Key Features

- 23.6" Circle Display
- High Resolution 1280 x 1280
- High Brightness 1600nits
- Aspect Ratio 1:1
- LED Backlight
- Optional Programmable RGB Circle Lighting
- Low Power Consumption



Specifications

Model Name	SSD2368-C
Description	23.6" TFT LCD, 1600nits LED Backlight, 1280 x 1280, Circle Display
Screen Size	23.6"
Display Area (mm)	599.424(H) x 599.424(V)
Brightness	1600 cd/m ²
Resolution	1280 x 1280
Aspect Ratio	1 : 1
Contrast Ratio	1500 : 1
Pixel Pitch (mm)	0.468(H) x 0.468(V)
Pixel Pre Inch (PPI)	76
Viewing Angle	178°(H),178°(V)
Color Saturation (NTSC)	81%
Display Colors	16.7M
Response Time (Typical)	14ms
Panel Interface	LVDS
Input Interface	HDMI, DP
Input Power	DC24V
Power Consumption	85.6W
OSD Key	4 Keys (Power Switch, Menu, +, -)
OSD Control	Brightness, Color, Contrast, Auto Turing, H/V Position...etc
Dimensions (mm)	659.6 x 659.6 x 66.02
Bezel Size(U/B/L/R)	30.09/30.09/30.09/30.09
Weight (Net)	8.3kg
Mounting	100x100, 200x100
Operating Temperature	0 °C ~ 50 °C
Storage Temperature	-20 °C ~ 60 °C

SSD= Panel + LED Driving Board + AD Control Board + Chassis

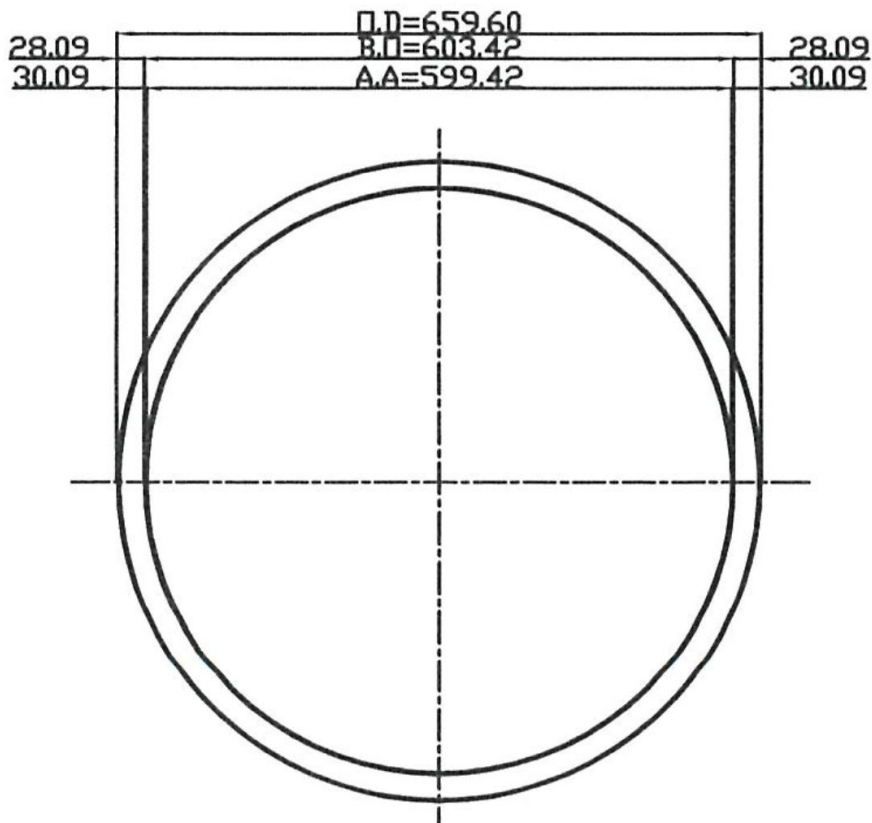
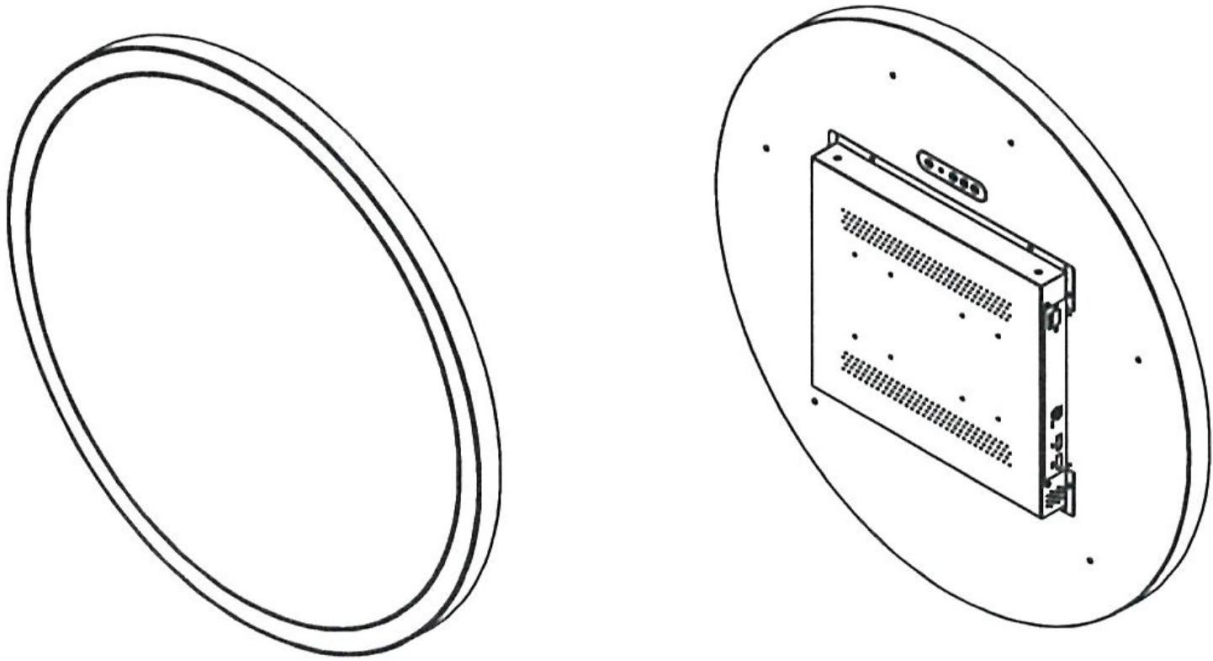
Specifications are subject to change without notice.

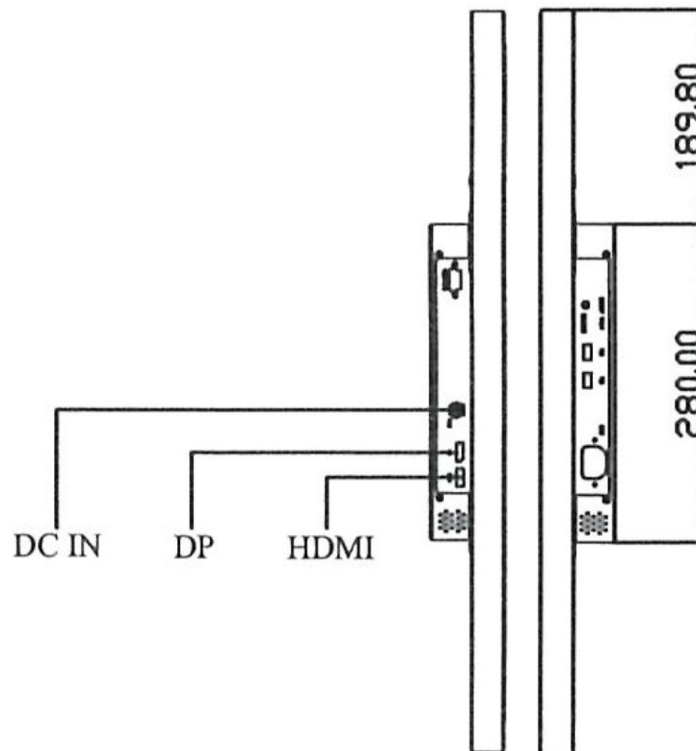
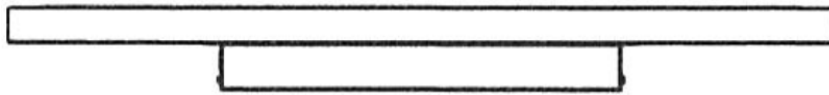
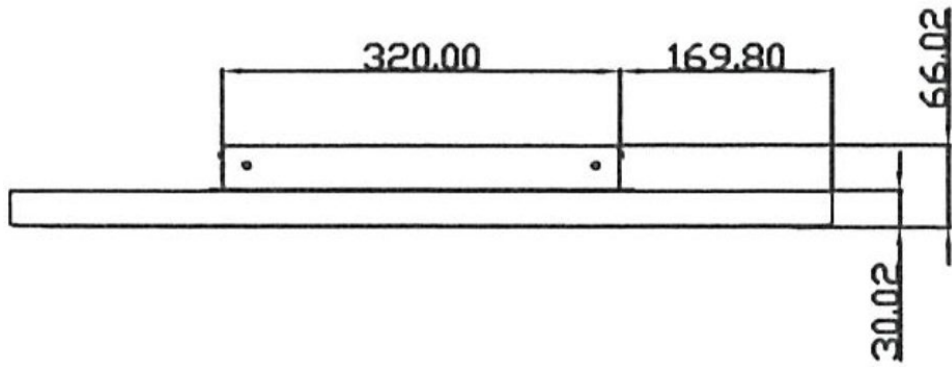
All brands or product names are trademarks or registered trademarks of their respective companies.

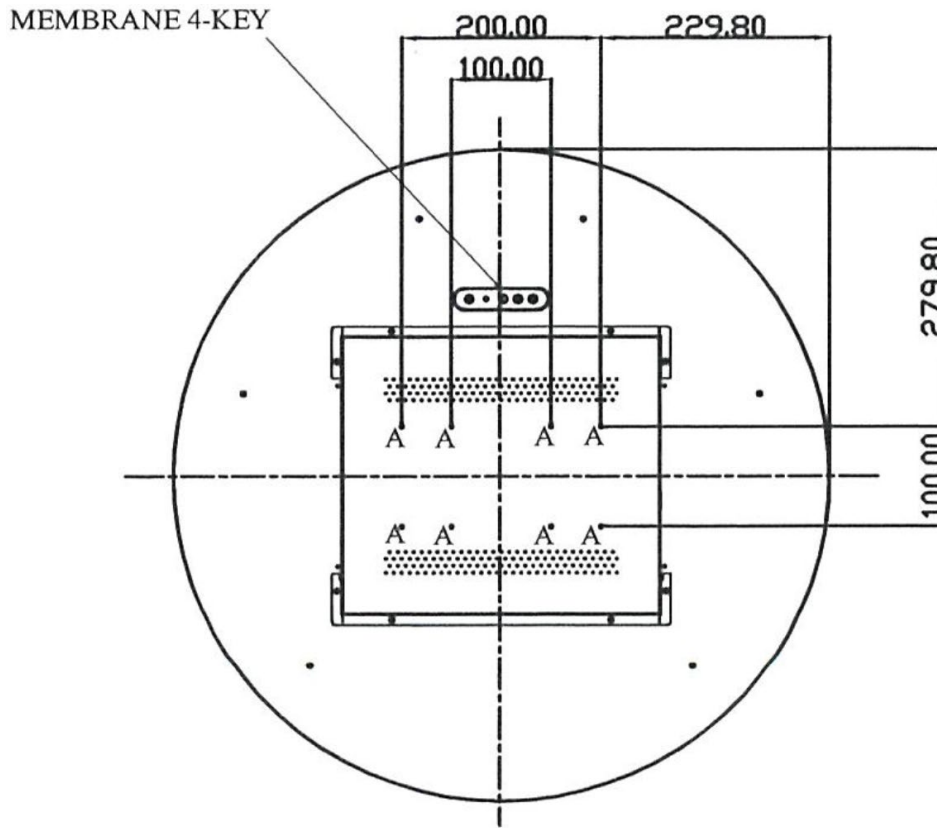


Outline Dimensions

Unit:mm







Note :
 O.D : Outline Dimension
 B.O : Bezel Opening
 A.A : LCD Active Area
 A:8-M4_USER_HOLE_MAX_DEPTH=8mm

Ordering Information

Part Number	Description
SSD2368-CNB-T11	23.6",1600nits,1280x1280,LID on LCM,AD68862HP,RGB lighting,O/B,DC24V,V1
SSD2368-CNB-T12	23.6",1600nits,1280x1280,LID on LCM,AD68862HP,O/B,DC24V,V1

Optional Accessories

Part Number	Description
840613141200	ADAPTER,AC/DC,24V/7.5A,180W.FSP180-AAAN3,Power Din,P
810618301010	CABLE,POWER,AC,1830mm USA type
810618301090	CABLE,POWER,AC,1830mm Europe type
810618301050	CABLE,POWER,AC,1830mm UK type
810618301170	CABLE,POWER,AC,1830mm Australia type
810618301031	CABLE,POWER,AC,1830mm Japan type

Customer request

Touch	PCT (Multi-Touch)
Glass	Tempered glass, AR coating.....

