



DLD7502-L
75" TFT LCD, 4500 nits LED backlight, UHD(3840x2160)

The **DLD7502-L** is a 75 inch industrial grade sunlight readable LCD, with high brightness 4500 nits, it produce sharp images, crisp text and lifelike colors. The Durapixel LED backlight technology ensures high reliability and low power consumption, suitable for outdoor application, kiosk, factory automation, military, transportation and gaming application.

Key Features

- High Brightness 4500 nits
- Resolution 3840x2160
- Sunlight Readable
- High Contrast Ratio (3,000,000 : 1)
- Local Dimming
- HDR support
- Low Power Consumption
- LCD Blacking Defect Free (Hi-Tni 110°C)
- BL MTBF: 100,000 hours



Specifications

Model Name	DLD7502-L
Description	75" TFT LCD, 4500 nits LED backlight, UHD (3840x2160)
Screen Size	75"
Display Area (mm)	1649.66(H) x 927.94(V)
Brightness	4500 cd/m ²
Resolution	3840x2160
Aspect Ratio	16 : 9
Contrast Ratio	3,000,000 : 1
Pixel Pitch (mm)	0.429(H) x 0.429(V)
Pixel Per Inch (PPI)	59
Viewing Angle	178°(H),178°(V)
Color Saturation (NTSC)	81%
Display Colors	1.07B
Response Time (Typical)	8ms
Panel Interface	V-by-One
AD Board Input Interface	DVI-D, HDMI x2, DP x2
Input Power	AC100~240V
Power Consumption	730W
OSD Key	5 Keys (Power Switch, Menu, +, Exit, -)
OSD Control	Brightness, Color, Contrast, Auto Turing, H/V Position...etc
Dimensions (mm)	1688.3 x 966 x 116.2
Bezel Size(U/B/L/R)	17/17/17.3/17.3 mm
Weight	78 kg
Mounting	800x300mm , 800x600mm
Operating Temperature	0 °C ~ 50 °C
Storage Temperature	-20 °C ~ 60 °C

DLD= Panel + LED Driving Board + AD Control Board + Housing

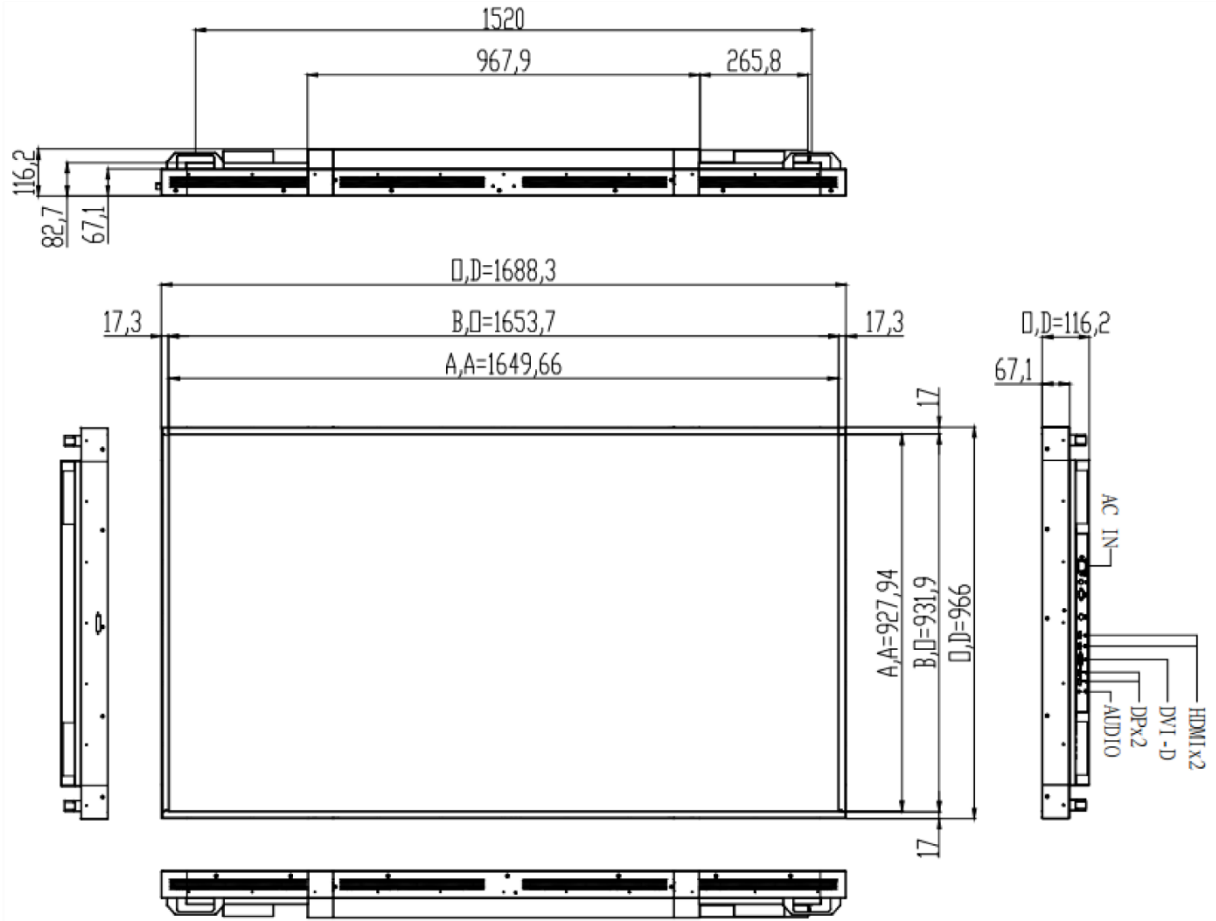
Specifications are subject to change without notice.
 All brands or product names are trademarks or registered trademarks of their respective companies.

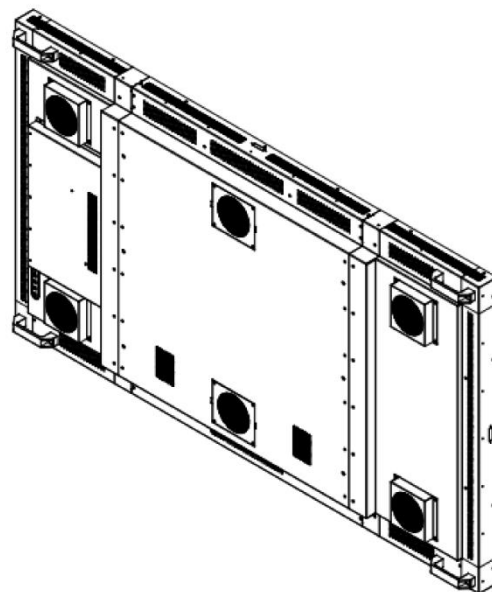
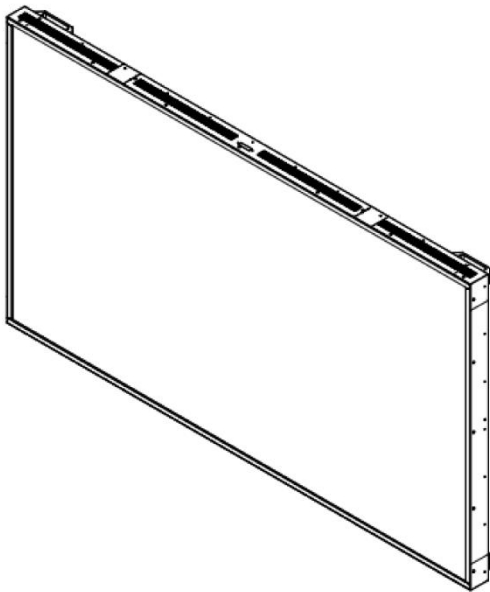
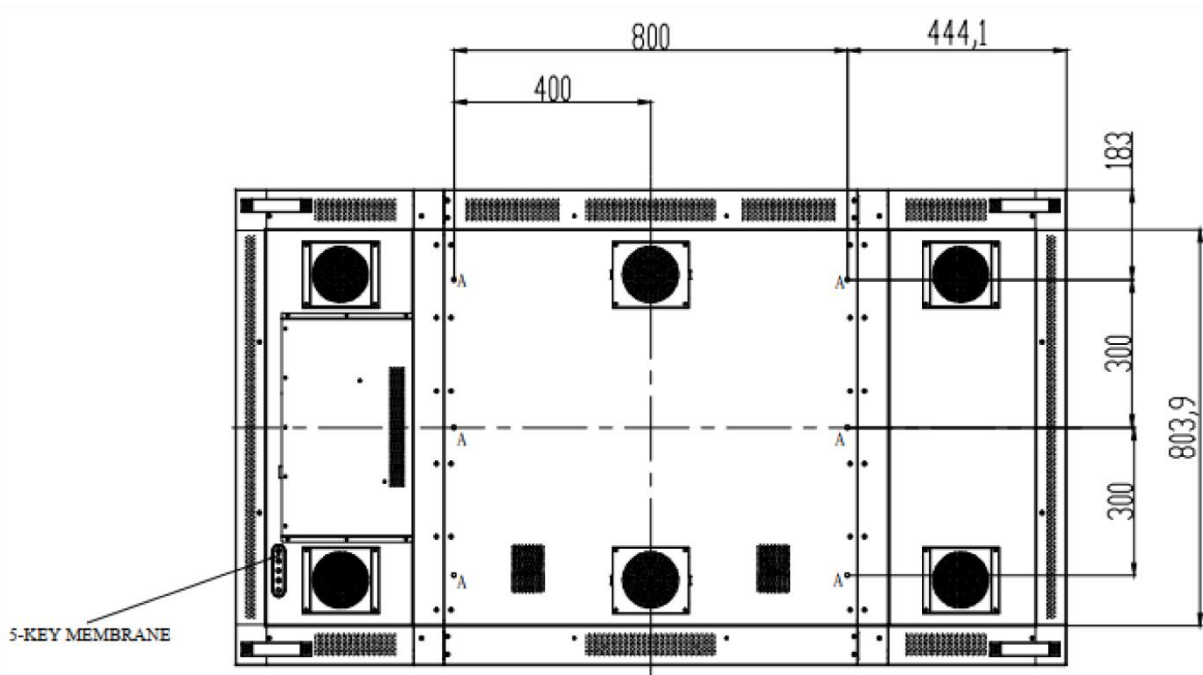


Mechanical Drawing

Outline Dimensions

Unit:mm





Note:
 O.D : Outline Dimension
 B.O : Bezel Opening
 A.A : LCD Active Area
 A:6-M8 USER HOLE _MAX. DEPTH=18mm



Ordering Information

Part Number	Description
DLD7502-LNU-R01	75",4500nits,3840x2160,HTni,LD,AD9034DHP,HDR,Speaker*2,O/B,AC100~240V,V1

Optional Accessories

Part Number	Description
810618301010	CABLE.POWER.AC.1830mm USA type
810618301090	CABLE,POWER,AC,1830mm Europe type
810618301050	CABLE.POWER.AC.1830mm UK type
810618301170	CABLE.POWER,AC,1830mm Australia type
810618301031	CABLE.POWER.AC.1830mm Japan type

Customer request

Touch	PCT (Multi-Touch)
Glass	Tempered glass,AR coating.....

製品のお見積り・お問い合わせは

株式会社プラズモニクジャパン までご連絡ください。

連絡先：(045) 663 1402 メール：info@plazmonic.jp