

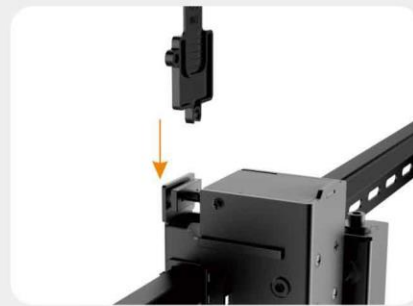
42"~70" , <70kg



6 point adjustment
enables precision alignment of the video wall configuration including depth, tilt and height



Tilt adjustment
Depth adjustment



Lock the pop-out
Protects displays by removing the possibility of accidental pop-outs via the plastic locking pieces



Manual Lock System

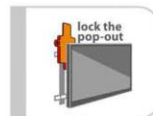
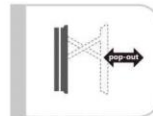
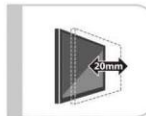
Landscape Mount with Pop-out

PU946



32"~70" (MAX.VESA 600x400)
70kg/154lbs
95-285mm

400x200
300x300
400x400
600x400



製品のお見積り・お問い合わせは
株式会社プラズモニックジャパン までご連絡ください。
連絡先:(045) 663 1402 メール:info@plazmonic.jp