



## DLS4302-B V1

### 43" TFT LCD, 380 nits LED backlight, FHD(1920x1080)

The DLS4302-B is a 43 inch industrial grade LCD and wide resolution 1920 x 1080. It is Litemax's product which designed for power efficiency LED backlight. DLS4302-B includes Intel® SDM "Smart Display Module" pluggable & modular architectures deliver new specification to expand integrated form factors into additional market areas, suitable for outdoor application, kiosk, factory automation, military, transportation and gaming application.

#### Key Features

- Brightness: 380nits
- LED Backlight
- Slim Bezel
- Support Intel® SDM



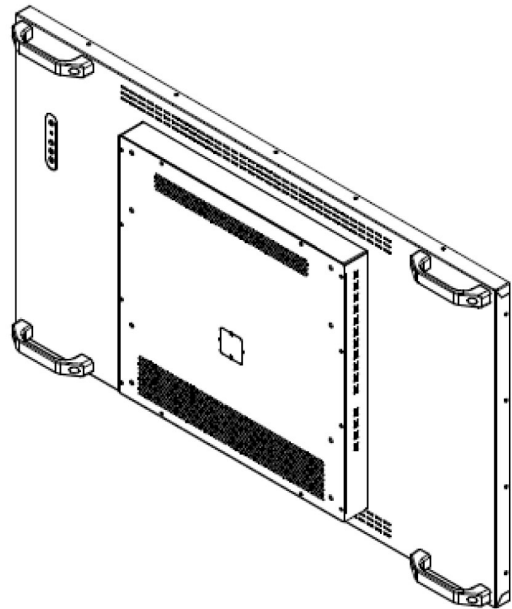
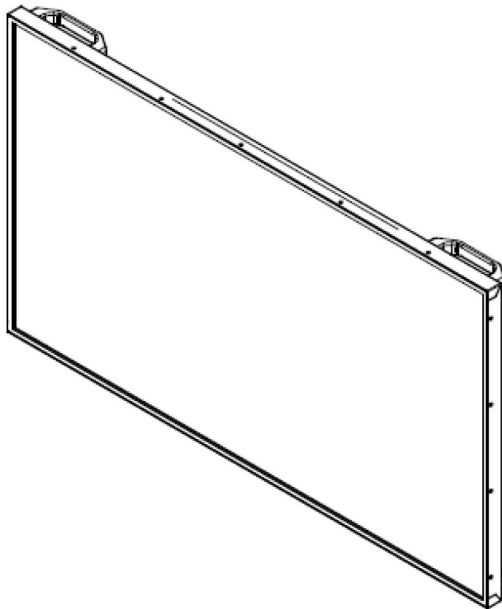
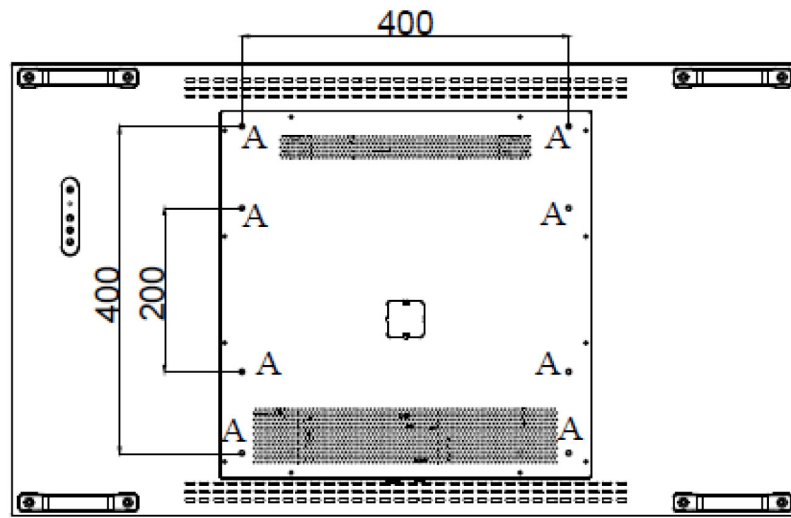
### Specifications

Model Name	DLS4302-B V1
Description	43" TFT LCD, 380 nits LED backlight, 1920x1080
Screen Size	43"
Display Area (mm)	940.7(H) x 529.2(V)
Brightness	380 cd/m <sup>2</sup>
Resolution	1920x1080
Aspect Ratio	16 : 9
Contrast Ratio	1200 : 1
Pixel Pitch (mm)	0.49(H) x 0.49(V)
Pixel Per Inch (PPI)	51
Viewing Angle	178°(H),178°(V)
Color Saturation (NTSC)	75%
Display Colors	16.7M
Response Time (Typical)	8ms
Panel Interface	LVDS
AD Board Input Interface	SDM Module
Input Power	AC100~240V
Power Consumption	106W
OSD Key	4 Keys (Power Switch, Menu, +, -)
OSD Control	Brightness, Color, Contrast, Auto Turing, H/V Position...etc
Dimensions (mm)	964.7x 553.1 x 77.5
Bezel Size(U/B/L/R)	10.4/10.4/10.4/10.4 mm
Weight (Net)	23kg
Mounting	VESA 400x200, 400x400
Operating Temperature	0 °C ~ 50 °C
Storage Temperature	-20 °C ~ 60 °C

**DLS= Panel + LED Driving Board + AD Control Board + Housing**

*Specifications are subject to change without notice.*

*All brands or product names are trademarks or registered trademarks of their respective companies.*





## Mechanical Drawing

Outline Dimensions:

mm

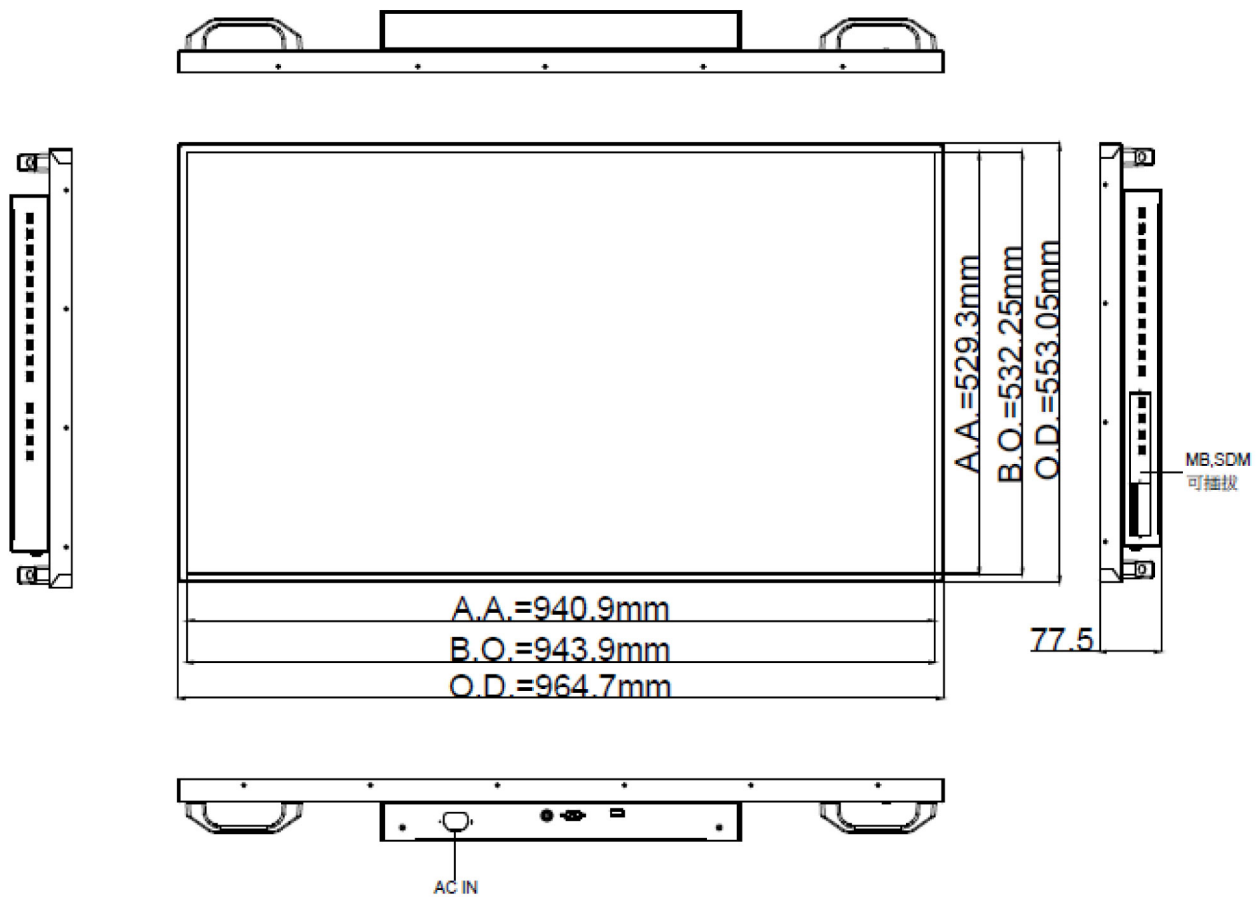
### NOTE :

O.D. : OUTLINE DIMENSION

B.O. : BEZEL OPENING

A.A. : LCD ACTIVE AREA

A:8-M6\_USER HOLE\_MAX.Depth=12mm





### Ordering Information

Part Number	Description
DLS4302-BNB-P01	43",380nits,1920x1080,MaxRGB,LID on Board,CAD8220HR,O/B,AC100~240V,V1

### Optional Accessories

Part Number	Description
810618301010	CABLE.POWER.AC.1830mm USA type
810618301090	CABLE,POWER,AC,1830mm Europe type
810618301050	CABLE.POWER.AC.1830mm UK type
810618301170	CABLE.POWER,AC,1830mm Australia type
810618301031	CABLE.POWER.AC.1830mm Japan type

### Customer request

Touch	PCT (Multi-Touch)
Glass	Tempered glass, AR coating.....

製品のお見積り・お問い合わせは  
 株式会社プラズモニックジャパン までご連絡ください。  
 連絡先：(045) 663 1402 メール：info@plazmonic.jp