



## DLS3205-INK V1 MaxRGB 32" TFT LCD, LED Backlight 800nits,MaxRGB UHD(3840x2160)

The DLS3205-I is a 32 inch industrial grade and HCS (High Color Saturation) LCD, with brightness 800 nits and high color saturation, it produce sharp images, crisp text and lifelike colors. Support Intel® SDM "Smart Display Module" pluggable & modular architectures deliver new specification to expand integrated form factors into additional market areas, suitable for outdoor application, kiosk, factory automation, military, transportation and gaming application.

### Key Features

- High Brightness 800 nits
- Sunlight Readable
- LED Backlight
- Low Power Consumption
- High Color Saturation
- Support Intel® SDM
- BL MTBF: 100,000 hours



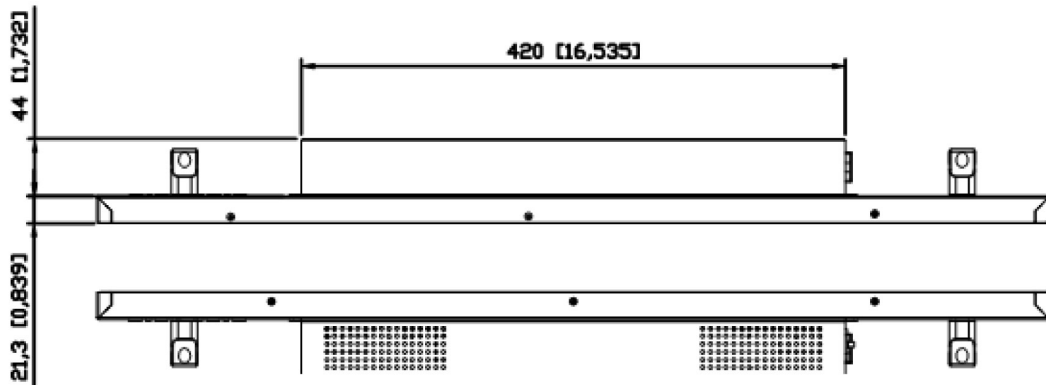
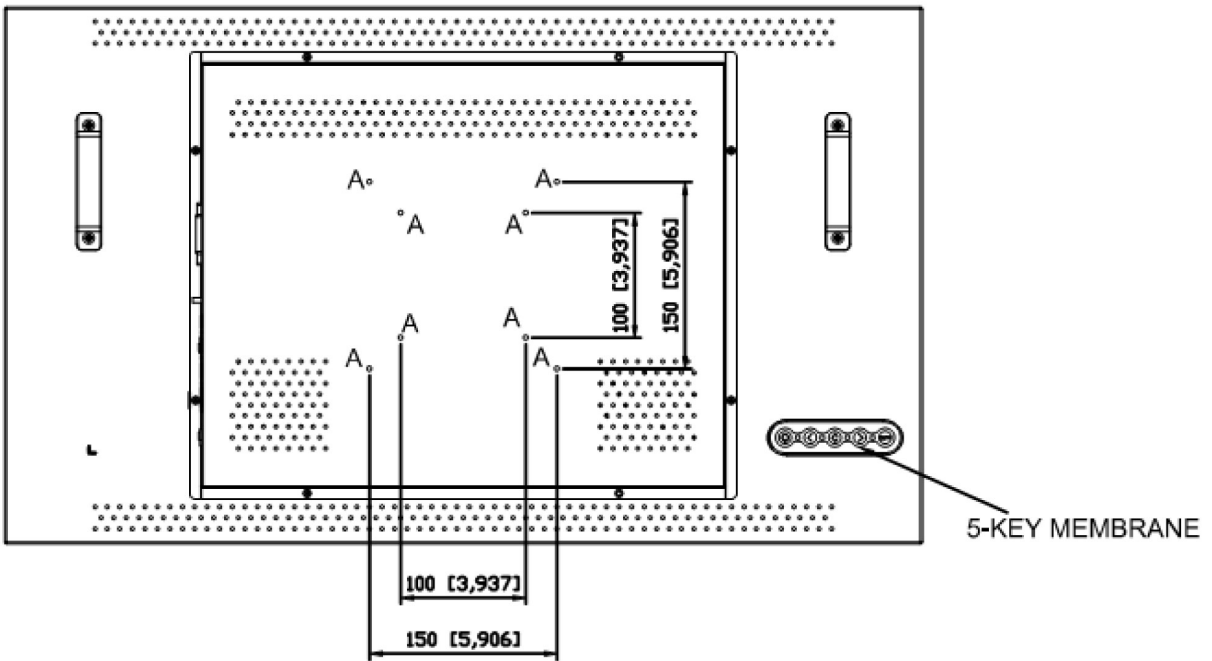
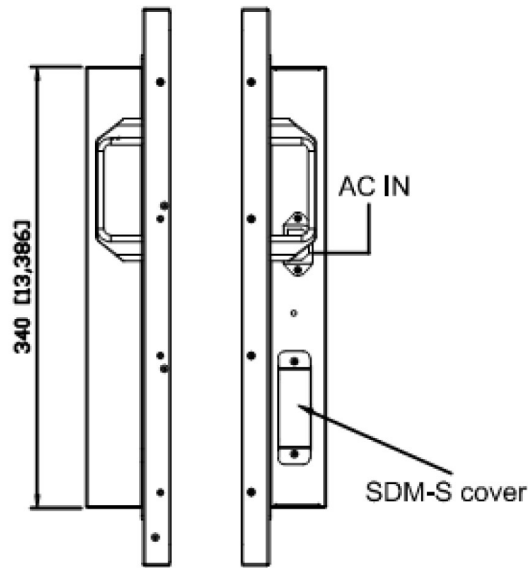
### Specifications

<b>Model Name</b>	<b>DLS3205-INK V1 MaxRGB</b>
<b>Description</b>	32" TFT LCD, LED Backlight 800 nits,MaxRGB UHD (3840x2160)
<b>Screen Size</b>	32"
<b>Display Area (mm)</b>	698.4(H) x 392.85(V)
<b>Brightness</b>	800 cd/m <sup>2</sup>
<b>Resolution</b>	3840x2160
<b>Aspect Ratio</b>	16 : 9
<b>Contrast Ratio</b>	4500 : 1
<b>Pixel Pitch (mm)</b>	0.181(H) x 0.181(V)
<b>Pixel Pre Inch (PPI)</b>	137
<b>Viewing Angle</b>	178°(H),178°(V)
<b>Color Saturation (NTSC)</b>	97%
<b>Display Colors</b>	1.07G
<b>Response Time (Typical)</b>	9.5ms
<b>Panel Interface</b>	V-by-One
<b>AD Board Input Interface</b>	SDM Module,
<b>Input Power</b>	AC100~240V
<b>Power Consumption</b>	101W
<b>OSD Key</b>	5 Keys (Power Switch, Menu, +, Exit, -)
<b>OSD Control</b>	Brightness, Color, Contrast, Auto Turing, H/V Position...etc
<b>Dimensions (mm)</b>	735.4 x 429.8 x 65.3
<b>Bezel Size(U/B/L/R)</b>	16.5/16.5/16.5/16.5 mm
<b>Weight (Net)</b>	12.4kg
<b>Mounting</b>	100x100, 150x150
<b>Operating Temperature</b>	0 °C ~ 50 °C
<b>Storage Temperature</b>	-20 °C ~ 60 °C

DLS= Panel + LED Driving Board + AD Control Board + Housing

*Specifications are subject to change without notice.*

*All brands or product names are trademarks or registered trademarks of their respective companies.*

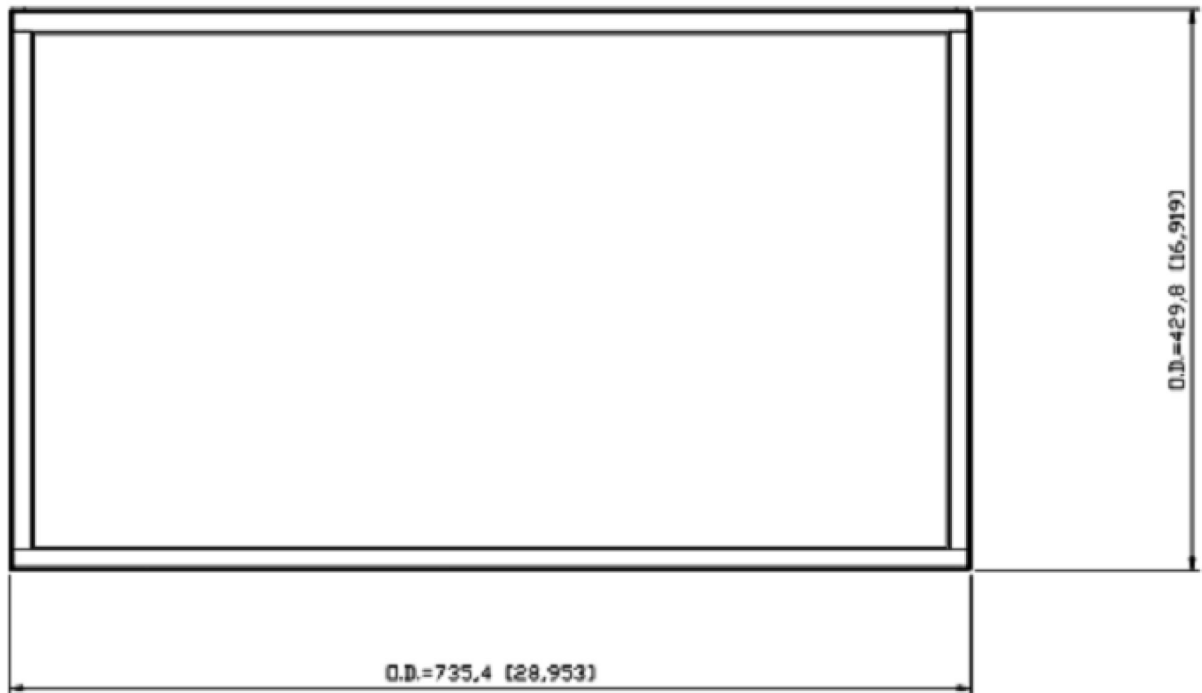
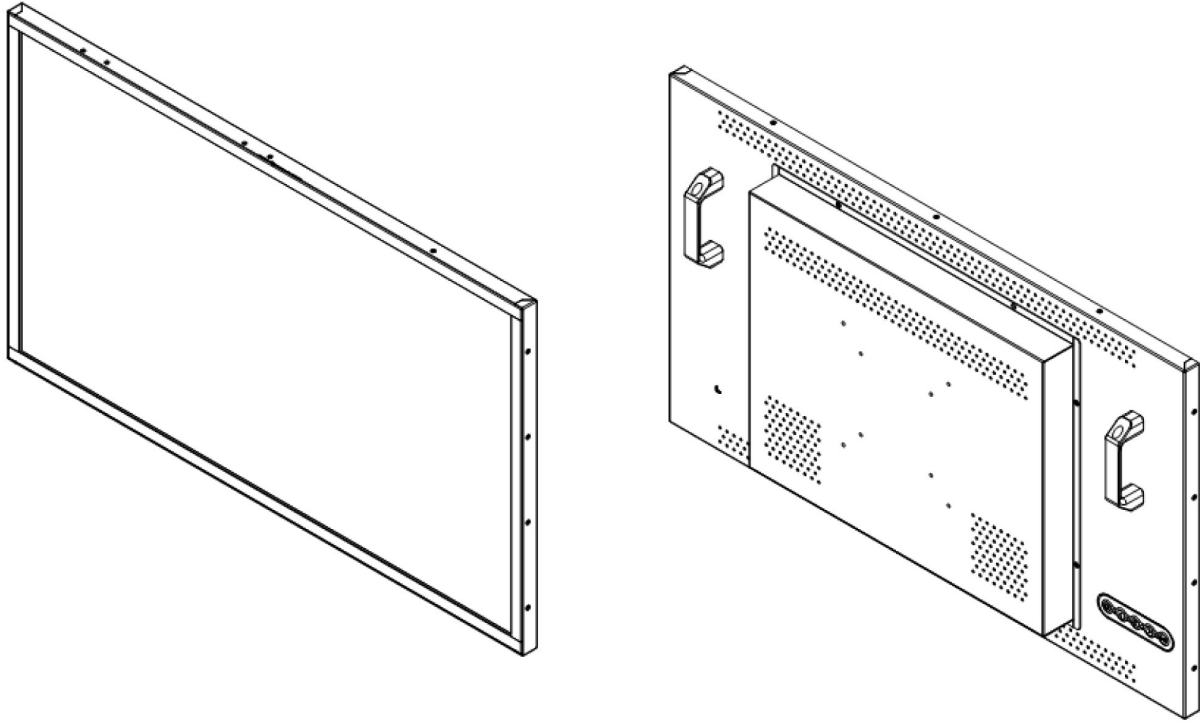




## Mechanical Drawing

### Outline Dimensions

Unit:mm





### Ordering Information

Part Number	Description
DLS3205-INK-M01	32",800nits,3840*2160,MaxRGB,LID32A,AD9131DHPA,speaker*2,O/B,AC100~240V,V1

### Optional Accessories

Part Number	Description
810618301010	CABLE.POWER.AC.1830mm USA type
810618301090	CABLE,POWER,AC,1830mm Europe type
810618301050	CABLE.POWER.AC.1830mm UK type
810618301170	CABLE.POWER,AC,1830mm Australia type
810618301031	CABLE.POWER.AC.1830mm Japan type

### Customer request

Touch	PCT (Multi-Touch)
Glass	Tempered glass, AR coating.....

製品のお見積り・お問い合わせは  
 株式会社プラズモニクジャパン までご連絡ください。  
 連絡先：(045) 663 1402 メール：info@plazmonic.jp