



DLO2705-B V1

27" TFT LCD, LED Backlight 1000nits, FHD(1920x1080)

The DLO2705-B is a 27 inch industrial grade sunlight readable LCD, with high brightness 1000 nits, it produce sharp images, crisp text and lifelike colors. The Durapixel LED backlight technology ensures high reliability and low power consumption, suitable for outdoor application, kiosk, factory automation, military, transportation and gaming application.

Key Features

- High Brightness 1000 nits
- Sunlight Readable
- LED Backlight
- Low Power Consumption
- Slim Bezel
- BL MTBF: 100,000 hours



Specifications

Model Name	DLO2705-B V1
Description	27" TFT LCD, LED Backlight 1000 nits, FHD (1920x1080)
Screen Size	27"
Display Area (mm)	597.9 (H) x 336.3(V)
Brightness	1000 cd/m ²
Resolution	1920x1080
Aspect Ratio	16 : 9
Contrast Ratio	1000 : 1
Pixel Pitch (mm)	0.3114(H) x 0.3114(V)
Pixel Per Inch (PPI)	81
Viewing Angle	178°(H),178°(V)
Color Saturation (NTSC)	82%
Display Colors	16.7M
Response Time (Typical)	14ms
Panel Interface	LVDS
AD Board Input Interface	DVI-I, DP
Input Power	DC12V
Power Consumption	33W
OSD Key	4 Keys (Power Switch, Menu, +, -)
OSD Control	Brightness, Color, Contrast, Auto Turing, H/V Position...etc
Dimensions (mm)	614.5 x 358.7 x 49
Bezel Size(U/B/L/R)	6.3/12.2/6.3/6.3 mm
Weight (Net)	6.2kg
Mounting	100x100, 100x200
Operating Temperature	0 °C ~ 50 °C
Storage Temperature	-20 °C ~ 60 °C

DLO= Panel+ LED Driving Board + AD Control Board + Housing

Specifications are subject to change without notice.

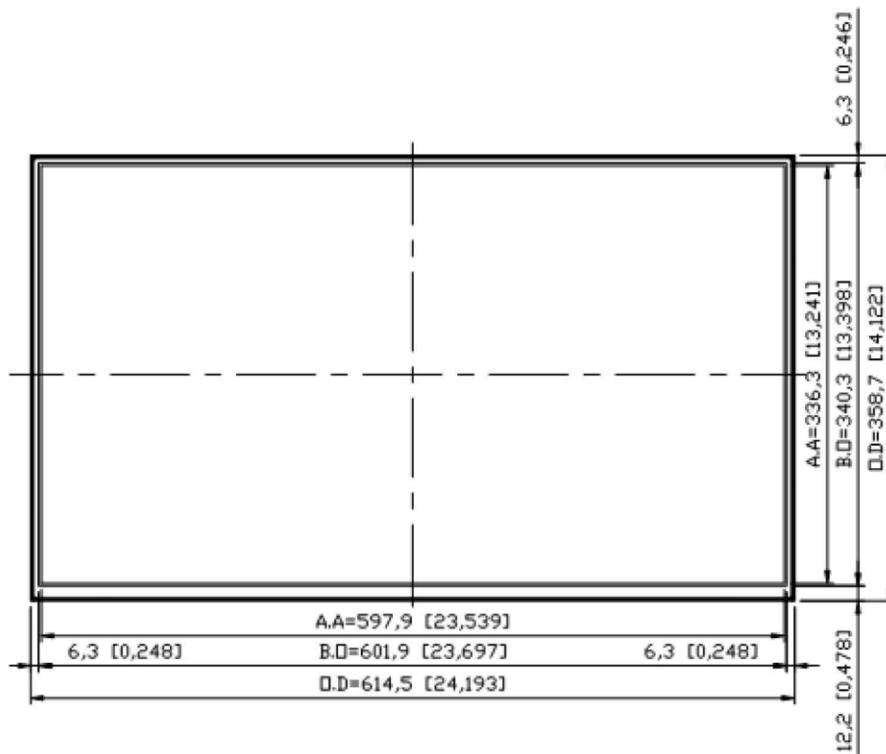
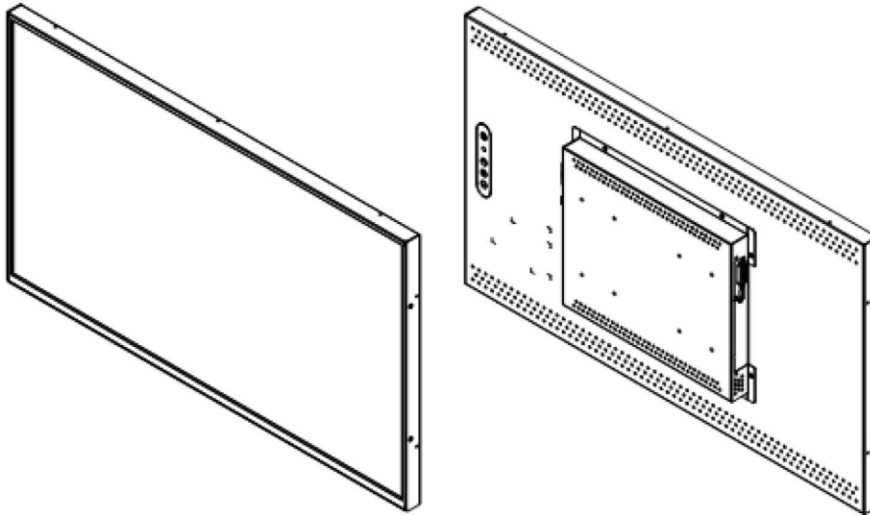
All brands or product names are trademarks or registered trademarks of their respective companies.

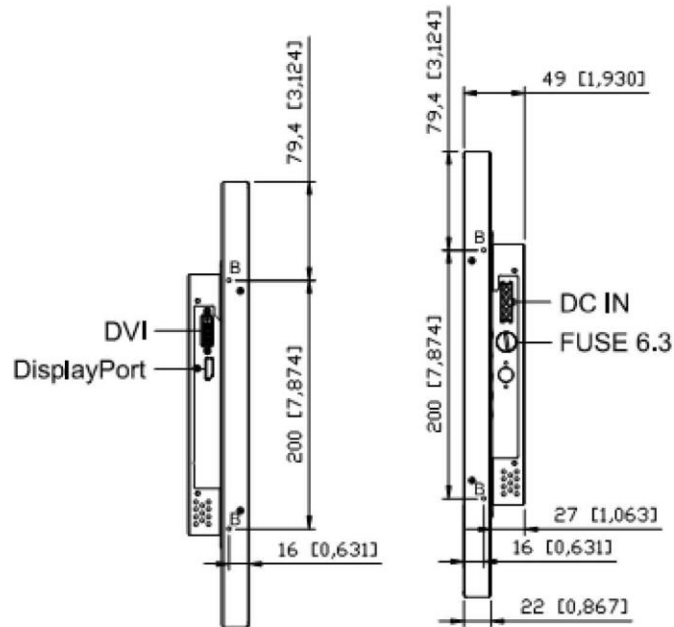
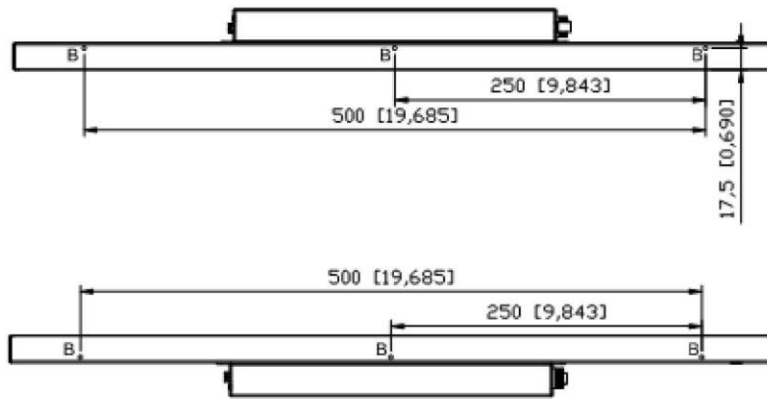


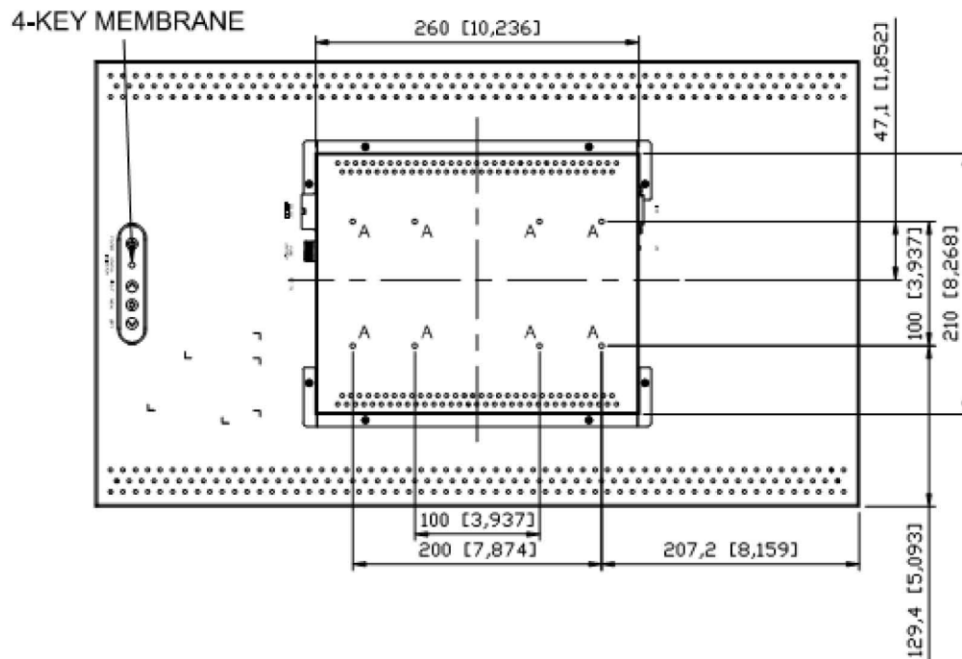
Mechanical Drawing

Outline Dimensions

Unit: mm







Note :

O.D : Outline Dimension

B.O : Bezel Opening

A.A : LCD Active Area

A:8-M4_USER_HOLE_MAX_DEPTH=6mm

B:10-M3_USER_HOLE_MAX_DEPTH=6mm



Ordering Information

Part Number	Description
DLO2705-BNB-I01	27",1000nits,FHD,AD6038GDP+LID,O/B-4key,DC12V,V1

Optional Accessories

Part Number	Description
800400806000	CABLE,POWER,80mm,20AWG,3.96mm 4P TO POWER DIN.P
840612051212	ADAPTER,AC/DC,12V/5 A,60W.Power-Din-4P,CWT.G99-ABF060F-N022.Efficiency-level-6,R
810618301010	CABLE.POWER.AC.1830mm USA type
810618301090	CABLE,POWER,AC,1830mm Europe type
810618301050	CABLE.POWER.AC.1830mm UK type
810618301170	CABLE.POWER,AC,1830mm Australia type
810618301031	CABLE.POWER.AC.1830mm Japan type

By Customer Request

Touch	PCT (Multi-Touch)
Glass	Tempered glass, AR coating.....

製品のお見積り・お問い合わせは
 株式会社プラズモニクジャパン までご連絡ください。
 連絡先：(045) 663 1402 メール：info@plazmonic.jp