



Product Specifications

Customer	
Model	NTSP650 V300



Records of Revision			
Vision	Modifying	Old Description	New Description
v1801.1	Preliminary Specifications		
v1801.2	Format Updated		

Features

- ★ 65" , 16:9/1920x1080 (FHD) Resolution
- ★ VA Technology, Wide Viewing Angle (178°/178°)
- ★ True Flat Projected Capacitive Touch Screen
- ★ 7H Hardness Tempered Cover Glass
- ★ 10 points Multi-touch , Supports Active Stylus
- ★ Metal Cabinet with Diverse Combine Options
- ★ Made in Taiwan, 3 Years Warranty
- ★ Designed for Harsh Environments
- ★ Optional High Brightness/Sunlight Readable
- ★ Optional Video Input (VGA/DVI/HDMI/DP)
- ★ Optional Software Remote Control by RS232
- ★ Optional Auto Dimming Function (with Light Sensor)



PSE



BSMI



FCC



CE



RoHS



ISO9001

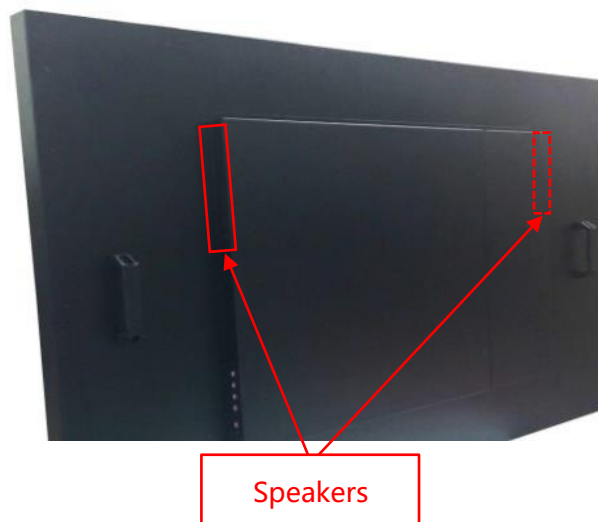
Display Specifications

Model Name	NTSP650NX-XXXX0XA-300*	Display Mode	VA Type, Normally Black
Screen Diagonal	65 吋	Response Time	8 msec.
Display Area	1428.5x803.5 mm	Backlight Unit	LED (white LED)
Resolution	1920x1080 (FHD)	Viewing Angle (L/R, U/D)	178°/178° (CR=10)
Contrast Ratio	4000:1	Backlight Lifetime	>50000 Hours
Display Ratio	16:9	Operating Temp.	0~50°C
Support Color	1073M Colors	Storage Temp.	-20~60°C
Pixel Pitch	0.744x0.744 mm	Surface Treatment	Anti-glare 11%, 3H
Model Name	350nits		

* Depends on options.

Input /Output

	Description	Connectors
Audio Input	Stereo	TRS Connector Φ3.5mm (Earphone Jack)
Speakers	10W x2	
Power Input	100~240VAC	100~240VAC, C14 Female Socket



Accessories

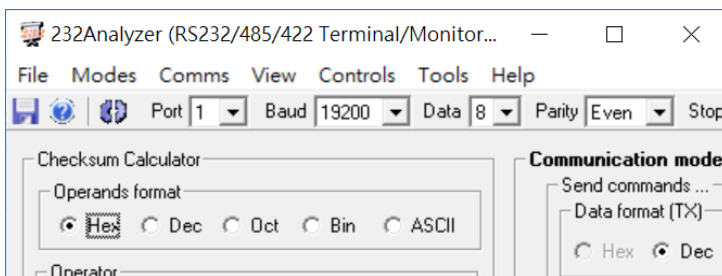
Item	Description	Quantity
HDMI Cable	HDMI Male to Male, 1.8 Meter	1
Power cord	*Country Specific	1
USB Cable	A type, Male to Male, 1.5 Meter *(only for touch monitor)	1

General Options

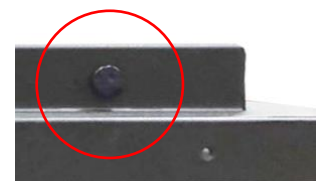
Video Input		
	Connectors	Model Name
Standard	VGA+HDMI+DP	NTSP650NX-XXXX0<u>8</u>A-300
Option	VGA+DVI+HDMIx2	NTSP650NX-XXXX0 <u>A</u> A-300

Cabinet		
	Description	Model Name
Standard	Galvanized steel (SECC)	NTSP650NX-XXX<u>S</u>0XA-300
Option 1	Stainless Steel	NTSP650NX-XXX <u>L</u> 0XA-300
Option 2	Aluminum	NTSP650NX-XXX <u>A</u> 0XA-300

OSD Control		
	Item	Description
Standard	Button	Rear Physical Button
Option 1	Software Remote Control	Software Remote Control by RS232/Serial Port
Option 2	Auto Dimming	Auto Brightness Adjusting by Built-in Light Sensor



* Software Remote Control



Light Sensor

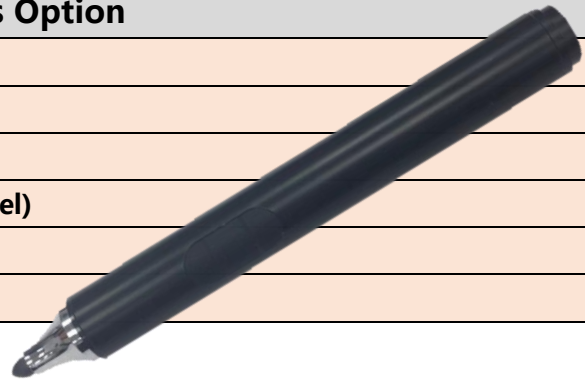


Touch Specifications

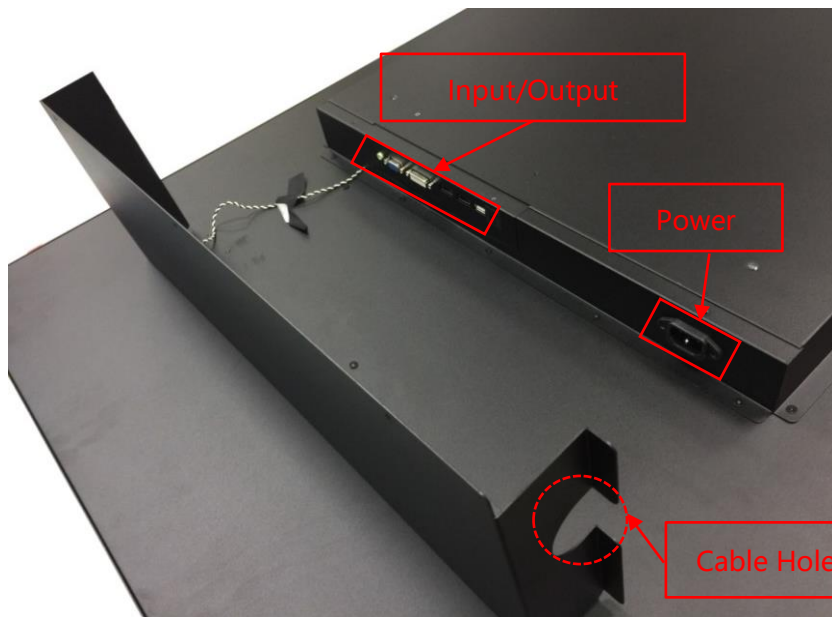
Touch Technology	Projected Capacitive	Transparency	≥87%
Allowed Touch Points	10 points	Accuracy	99.00%
Interface	USB	Thickness of Cover Lens	2.9±0.2mm
Hardness of Cover Lens	7H	Surface Treatment	Anti-glare



Active Stylus Option	
Technology	Active Capacitive Coupled
Working Frequencies	90~250 KHZ
Pressure Level	256~1024 Levels
Side Buttons	2 Side Buttons (Eraser, Barrel)
Active Tip Force	5~25g
Max. Tip Force	400g



端子保護蓋



Opened

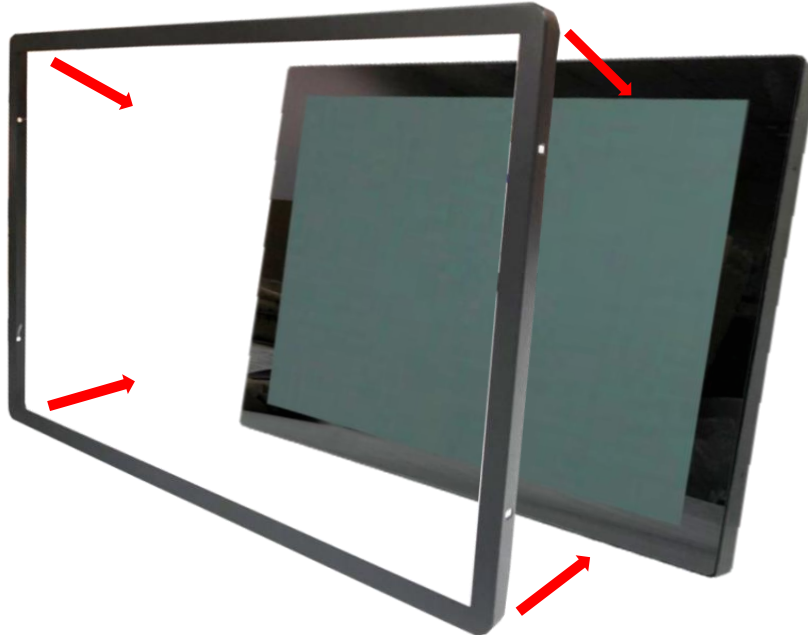


Closed

Whiteboard Pen Holder (Option)



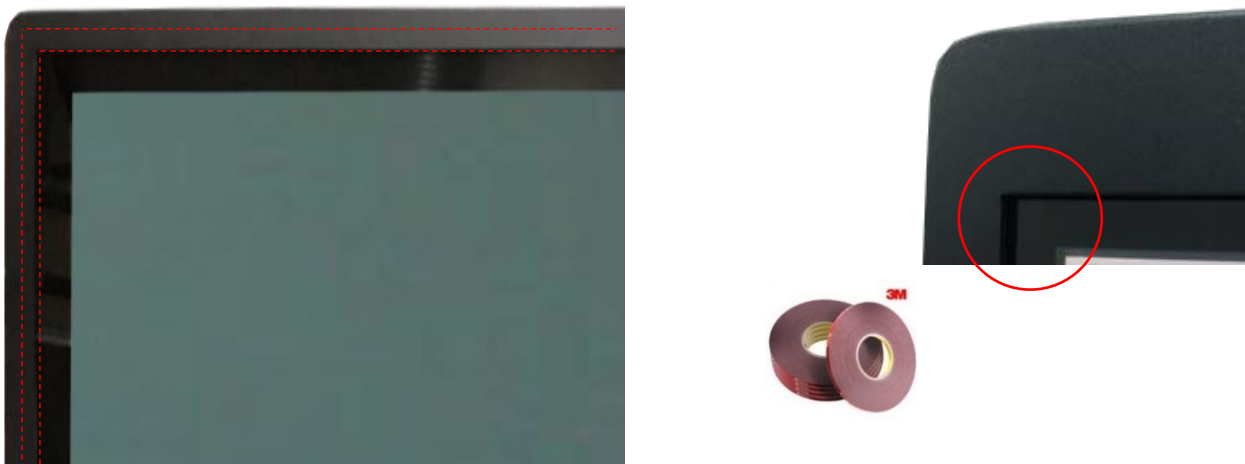
Optional Accessories (Front Cover)



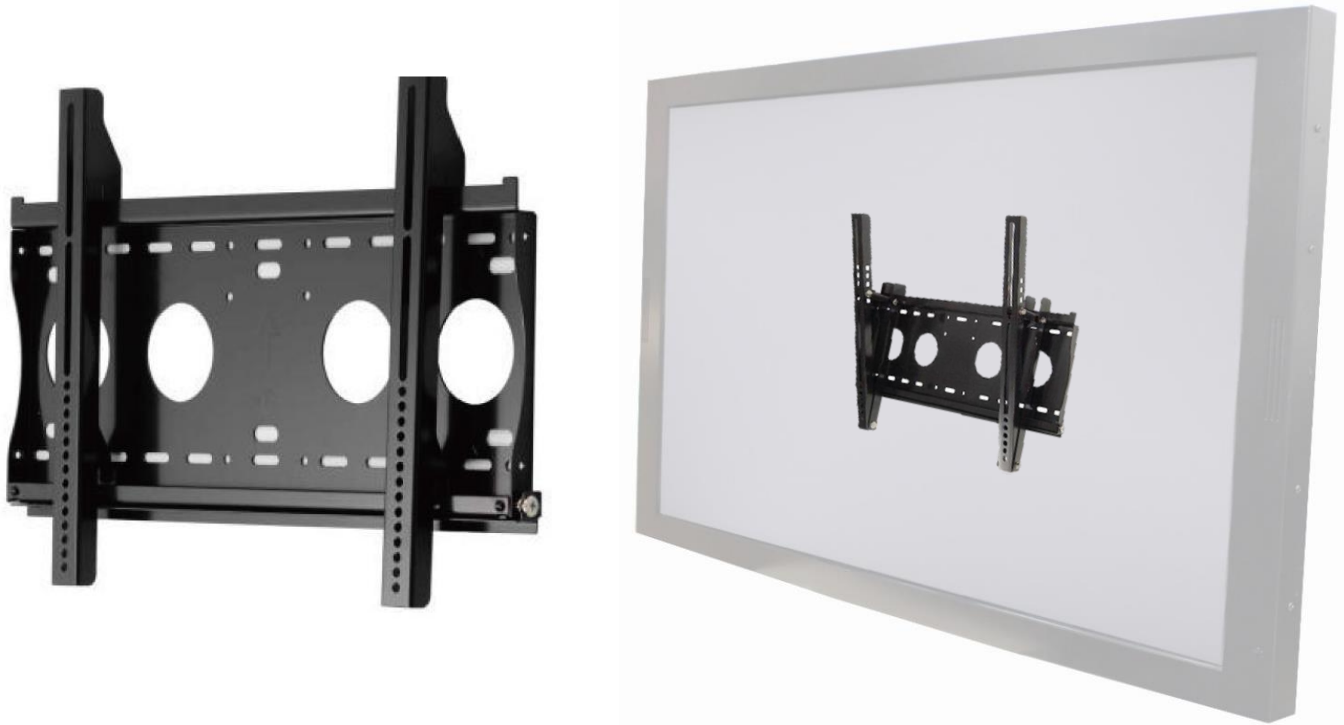
The standard **NTSP650** is true flat surface, with only 1mm metal bezel.
To protect the corners of the touch screen, the **Front Cover** can be added.



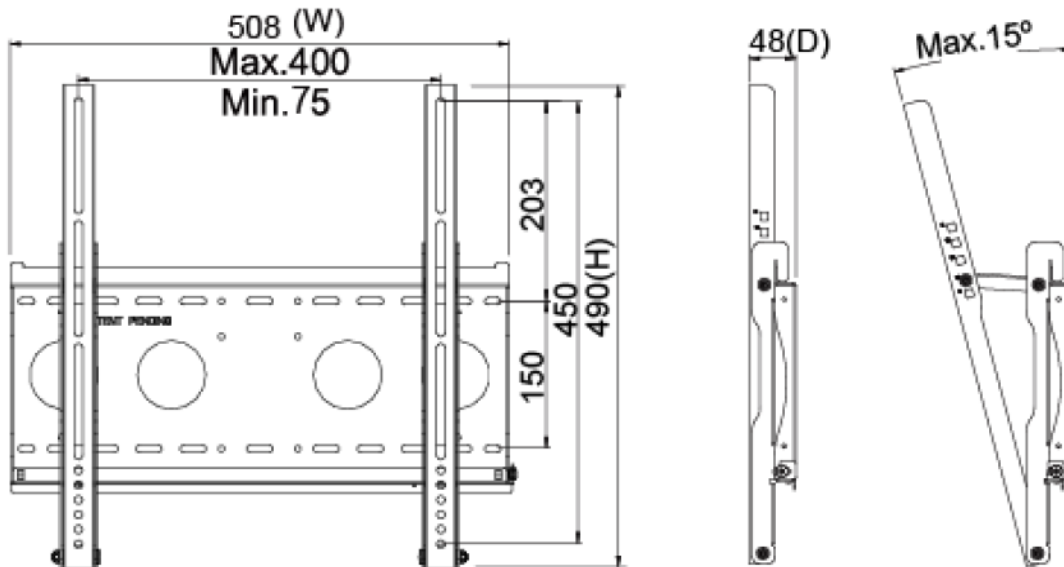
The watertight gasket can be added between the **Front Cover** and **NTSP650**.
It complies IP65 on front.



Optional Accessories (Wall Mount Bracket)



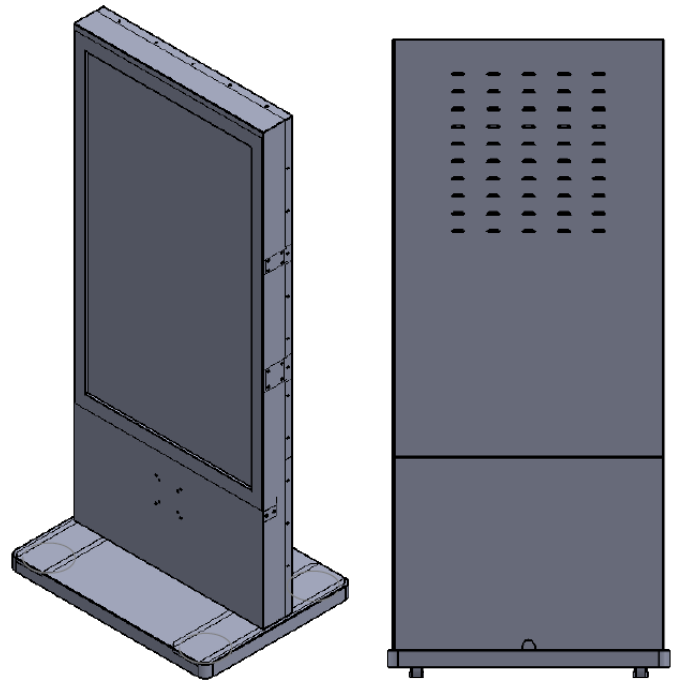
Part No.	WMB-B001		
Mounting Pattern	Max. 400x450 mm	Dimension (WxHxD)	508x490x48 mm
Material	SECC	Net Weight	4.01 KG
Tilt (Hinge)	0°/5°/10°/13°/15°	Support Max. Weight	80 KG
Screw Type	M4/M5/M6/M8	Min. Distance to The Wall	48 mm



Optional Accessories (KIOSK Cabinet)



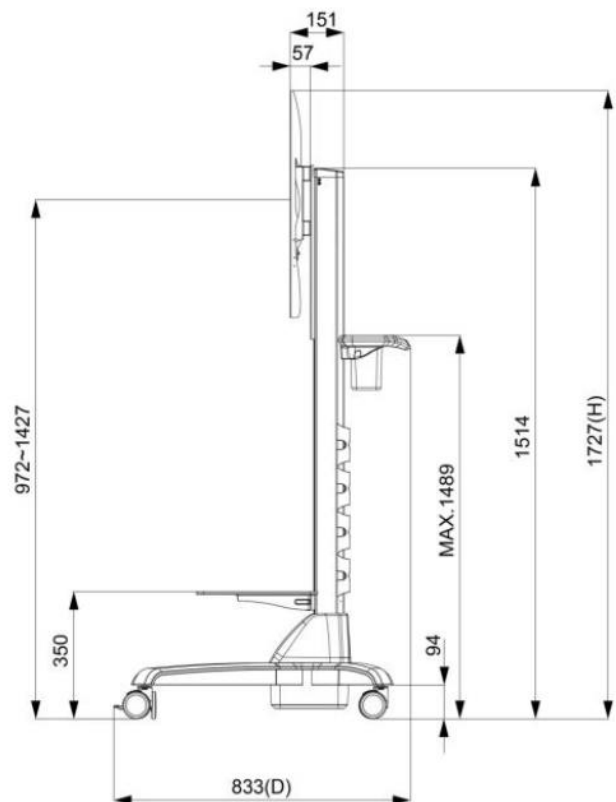
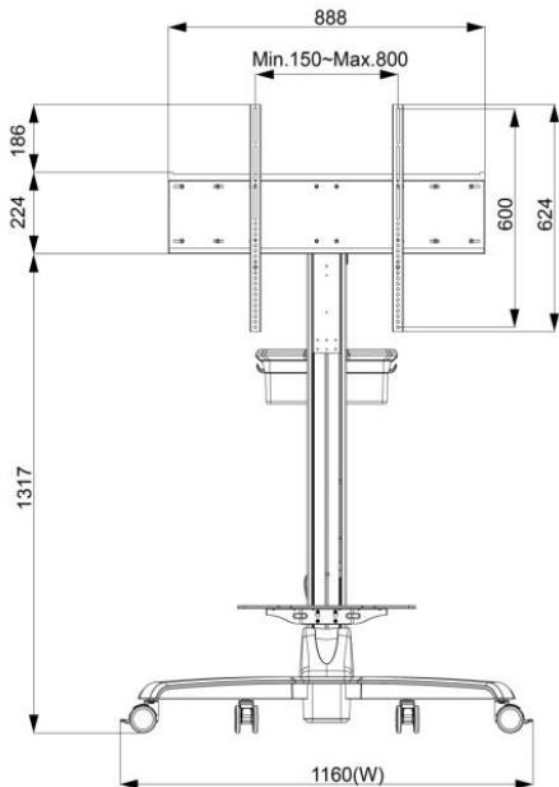
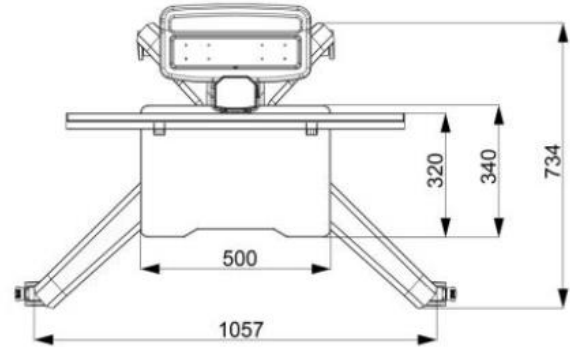
Material	SECC
Caster	4 (front 2 braking)



Optional Accessories (Cart)



Net Weight	28.4 KG
Power System	AC 200~240V 50/60Hz
User Interface	Button (up/down)
Packaged Dimension	W1160xD833xH1727 mm
Screw Type	M4/M5/M6/M8
Material	Aluminum /Plastic/Steel
Max. Mount Pattern	800x600mm
Max. Weight Load	80 KG
Caster	4 (front 2 braking)
Height Adjust Range	455 mm
RoHS/REACH Compliance	Yes



Packing Information



Dimensions of Carton	168x111x36 CM
Net Weight	≤ 51.0 KG
Gross Weight	≤ 62.1 KG