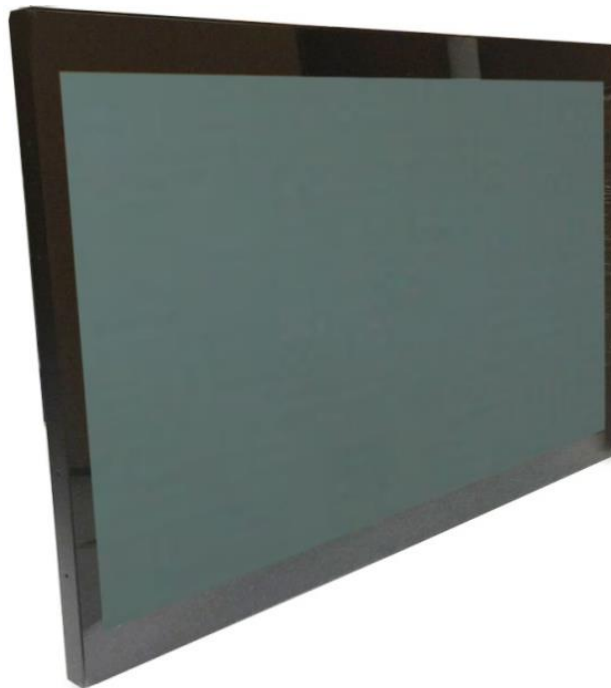




Product Specifications

Customer	
Model	NTP420 V002



Records of Revision			
Vision	Modifying	Old Description	New Description
v1801.1	Preliminary Specifications		
v1801.2	Revise Standard Brightness	350nits	400nits
v1801.3	Format Updated		

Features

- ★ 42" , 16:9/1920x1080 (FHD) Resolution
- ★ MVA Technology, Wide Viewing Angle (178°/178°)
- ★ True Flat Projected Capacitive Touch Screen
- ★ 7H Hardness Tempered Cover Glass
- ★ 10 points Multi-touch , Supports Active Stylus
- ★ Metal Cabinet with Diverse Combine Options
- ★ Made in Taiwan, 3 Years Warranty
- ★ Designed for Harsh Environments



PSE



BSMI



FCC



CE



RoHS



ISO9001

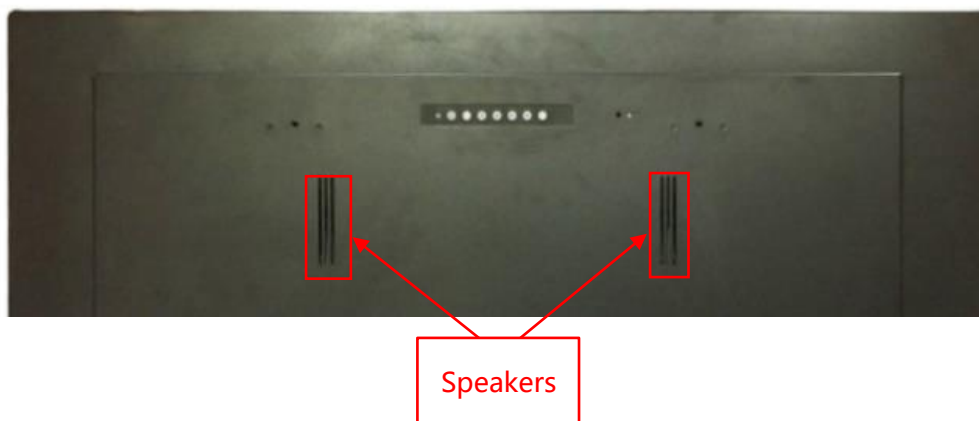
Display Specifications

Model Name	NTP420B0XUNXA-002	Display Mode	VA, Normally Black
Screen Diagonal	42.02 inch	Response Time	6.5 msec.
Display Area	930.24x523.26 mm	Backlight Unit	LED (white LED)
Resolution	1920x1080 (FHD)	Viewing Angle (L/R, U/D)	178°/178° (CR_≥10)
Contrast Ratio	3000:1	Backlight Lifetime	30000 HRS
Display Ratio	16:9	Operating Temp.	0~50°C
Support Color	1073M Colors	Storage Temp.	-20~60°C
Pixel Pitch	0.4845x0.4845 mm	Surface Treatment	Anti-glare 2%, 3H
Brightness	400nits		

* Depends on options.

Input /Output

Connectors	Description	Connectors	Description
VGA	15pin D-Sub x1	DVI	DVI-I x1
HDMI	HDMI 1.4 x2	Audio Input	TRS Connector Φ3.5mm
Speakers	10W x2	Power Input	100~240VAC

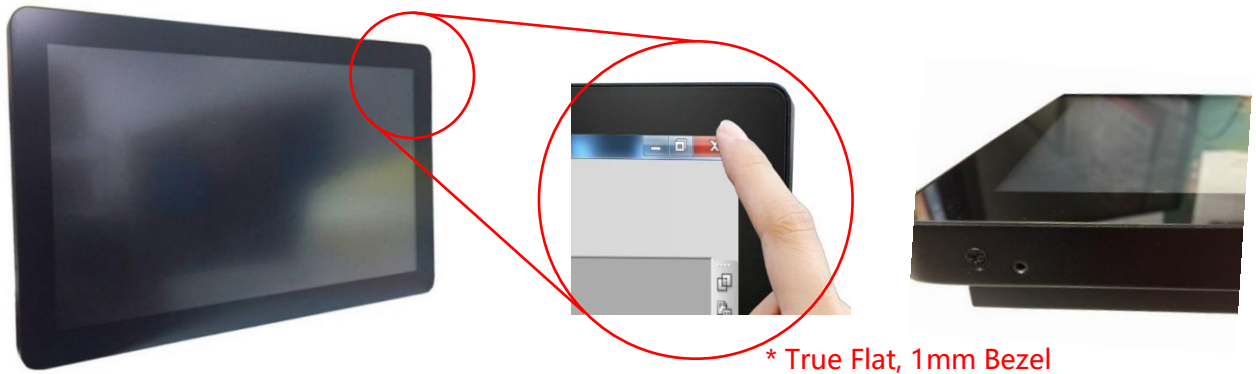


Cabinet Options

	Description	Model Name
Standard	Galvanized steel (SECC)	NTP420B0XUNSA-002
Option 1	Stainless Steel	NTP420B0XUNLA-002
Option 2	Aluminum	NTP420B0XUNAA-002

Touch Specifications

Touch Technology	Projected Capacitive	Transparency	≥87%
Allowed Touch Points	10 points	Accuracy	99.00%
Interface	USB	Thickness of Cover Lens	4±0.05mm
Hardness of Cover Lens	7H	Surface Treatment	Anti-glare



Active Stylus Option

Technology	Active Capacitive Coupled
Working Frequencies	90~250 KHZ
Pressure Level	256~1024 Levels
Side Buttons	2 Side Buttons (Eraser, Barrel)
Active Tip Force	5~25g
Max. Tip Force	400g



Accessories

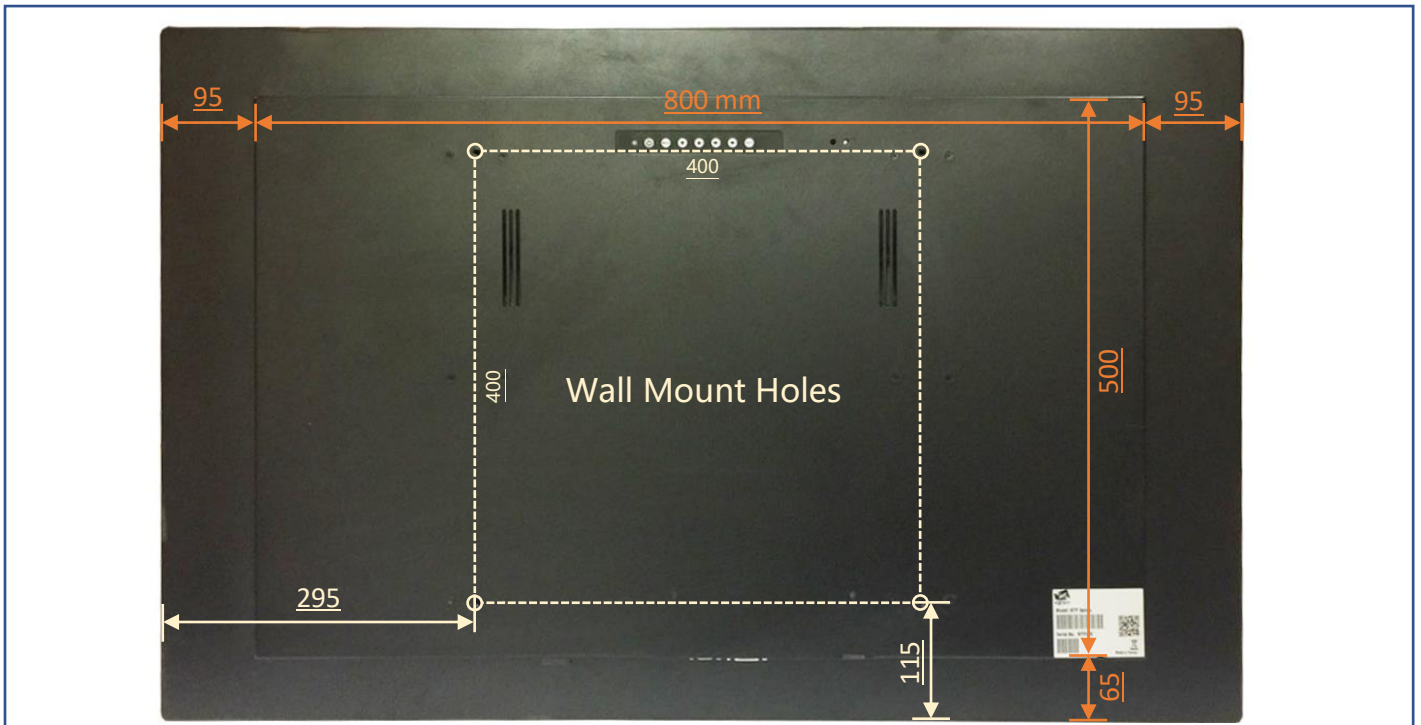
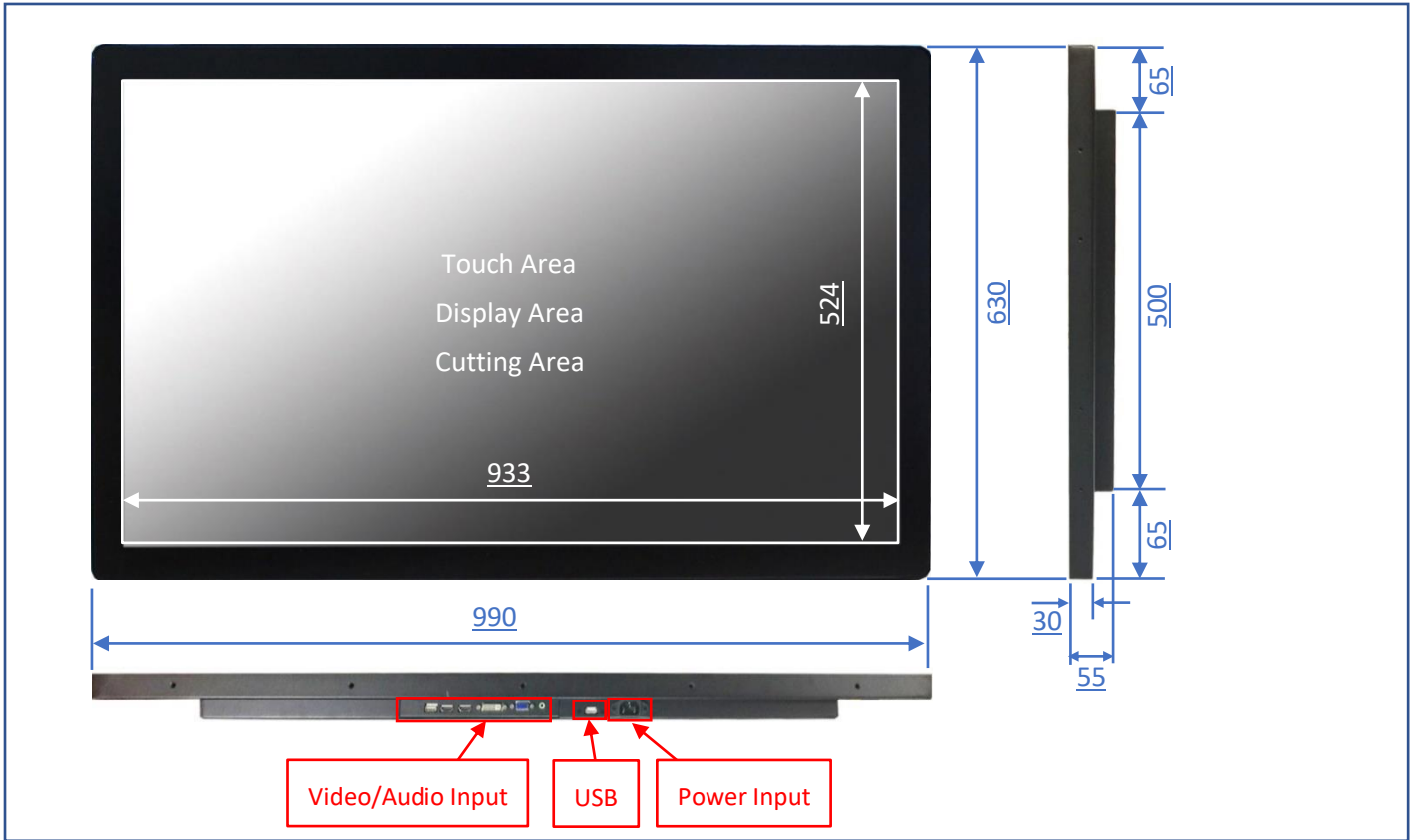
Item	Description	Quantity
HDMI Cable	HDMI Male to Male, 1.5 Meter	1
Power cord	*Country Specific	1
USB Cable	A type, Male to Male, 1.5 Meter *(only for touch monitor)	1

Supported OS

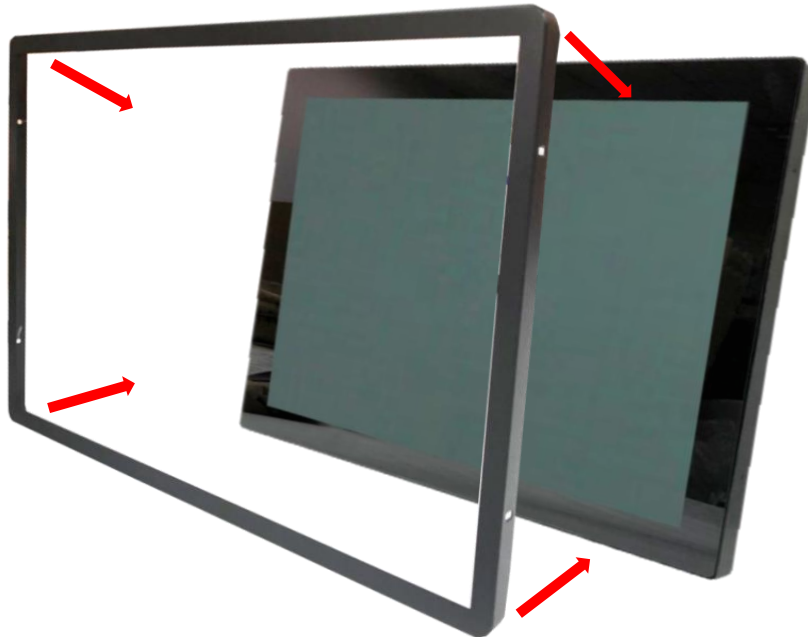
Windows	Win7, Win8, Win10 ↑
Linux	Kernel 2.6.24 ↑
Android	3.0 ↑
Mac	10.5.x ↑ (Intel CPU)

Physical Specifications

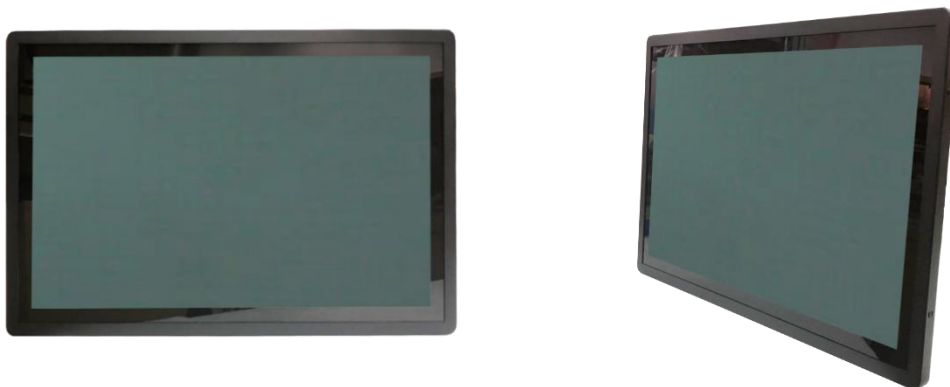
Dimension (Max)	990x630x55(±1)mm	Net Weight	≈26.3 KG
VESA Mounting	400x400 mm	Gross Weight	≈32.1 KG



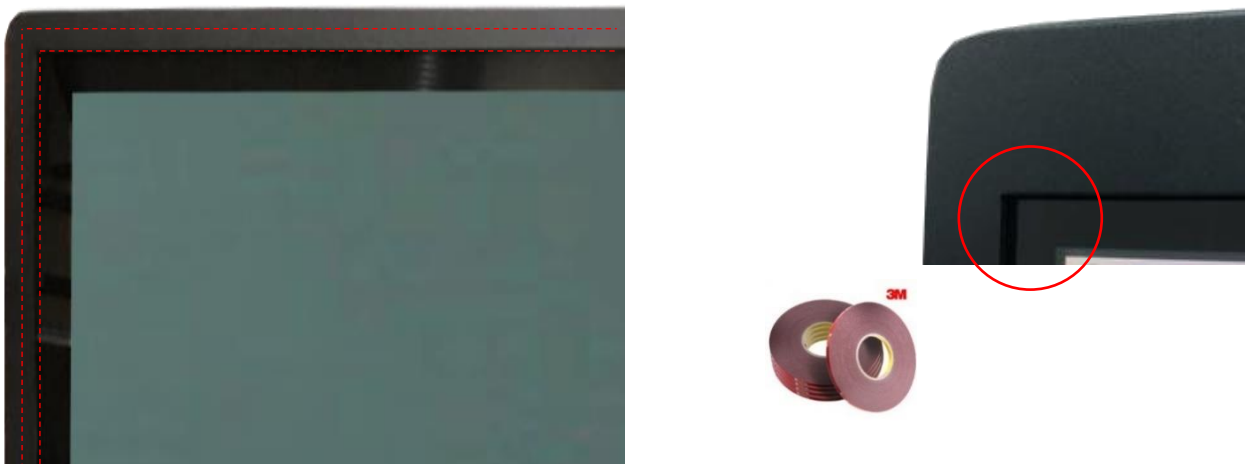
Optional Accessories (Front Cover)



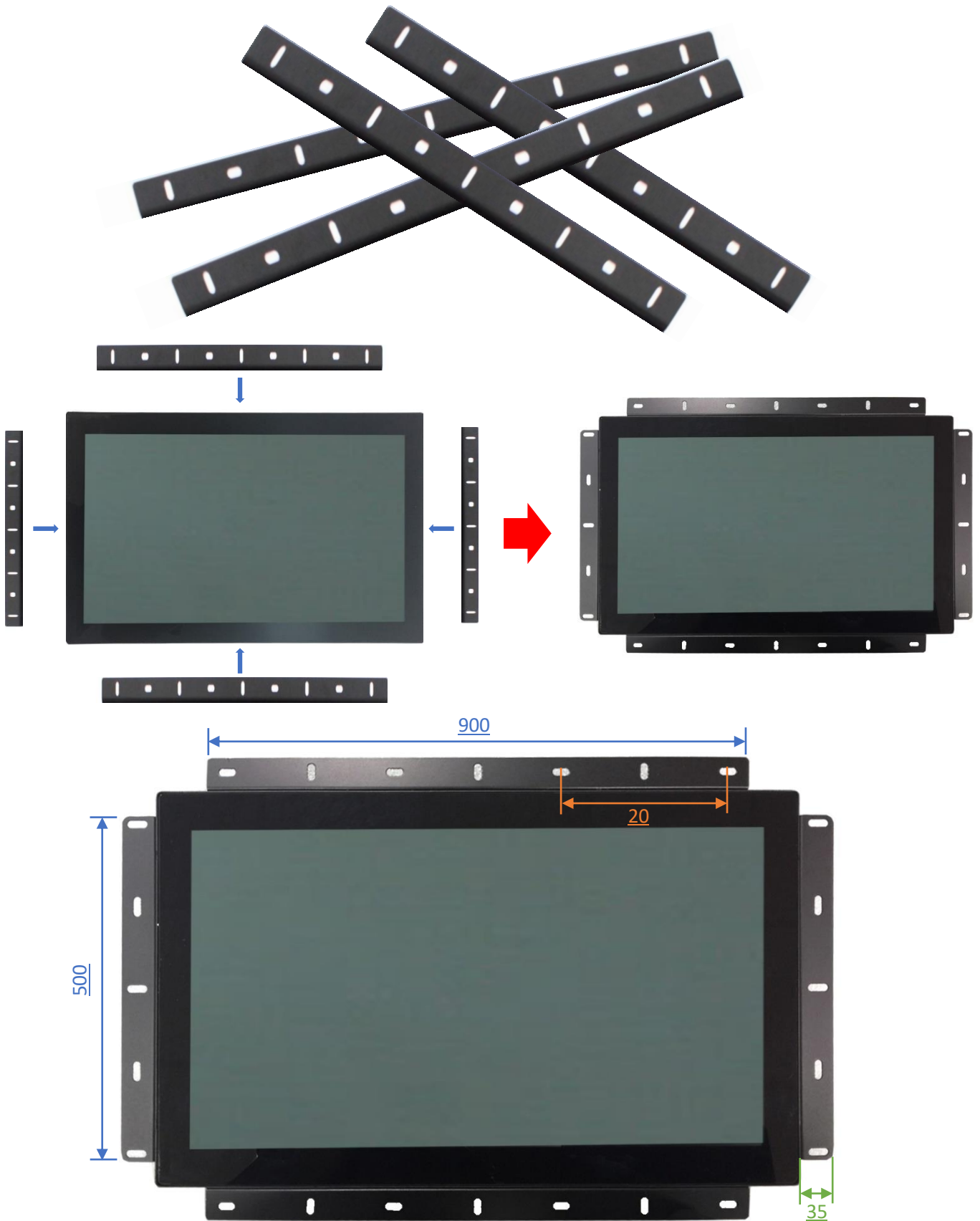
The standard **NTP420** is true flat surface, with only 1mm metal bezel.
To protect the corners of the touch screen, the Front Cover can be added.



The watertight gasket can be added between the **Front Cover** and **NTP420**.
It complies IP65 on front.



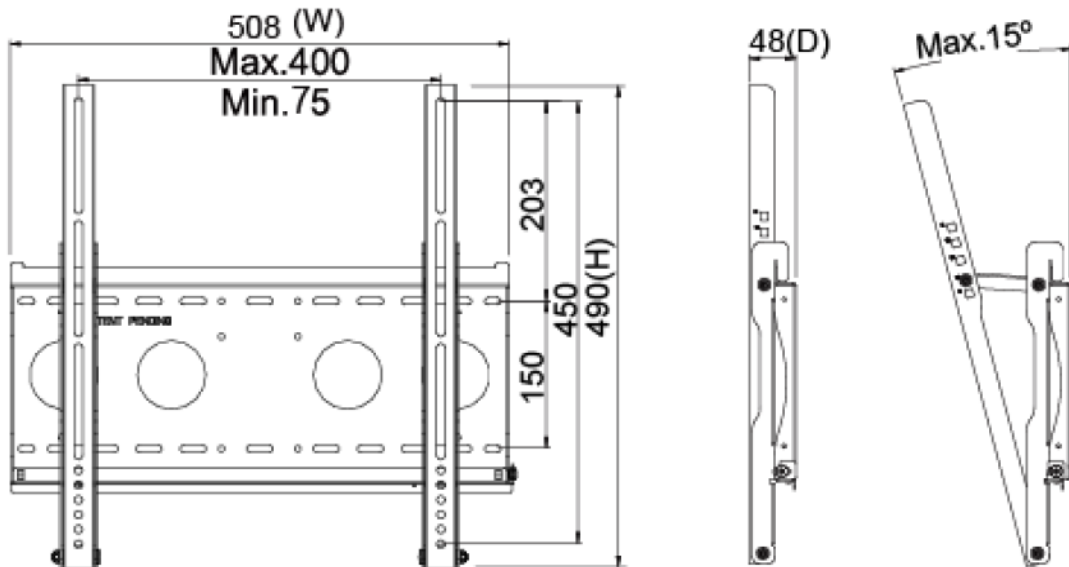
Optional Accessories (Open-frame Brackets)



Optional Accessories (Wall Mount Bracket)



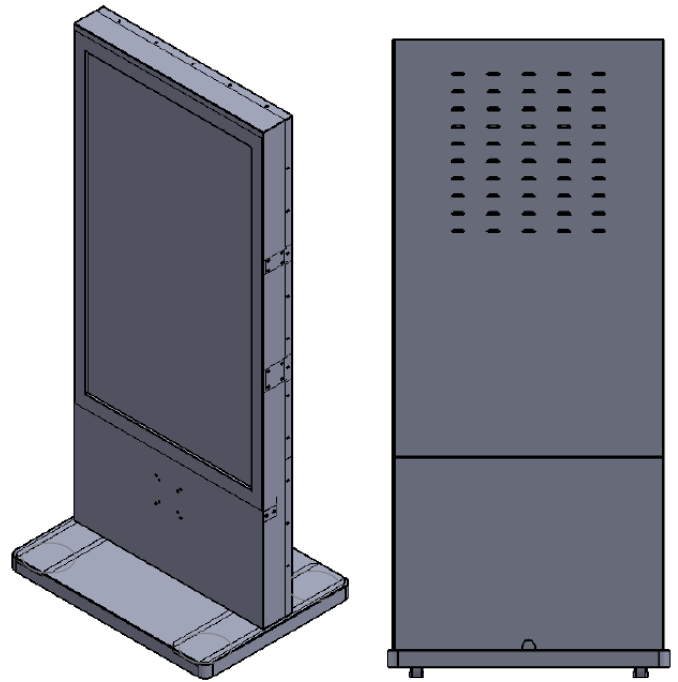
Part No.	WMB-B001		
Mounting Pattern	Max. 400x450 mm	Dimension (WxHxD)	508x490x48 mm
Material	SECC	Net Weight	4.01 KG
Tilt (Hinge)	0°/5°/10°/13°/15°	Support Max. Weight	80 KG
Screw Type	M4/M5/M6/M8	Min. Distance to The Wall	48 mm



Optional Accessories (KIOSK Cabinet)



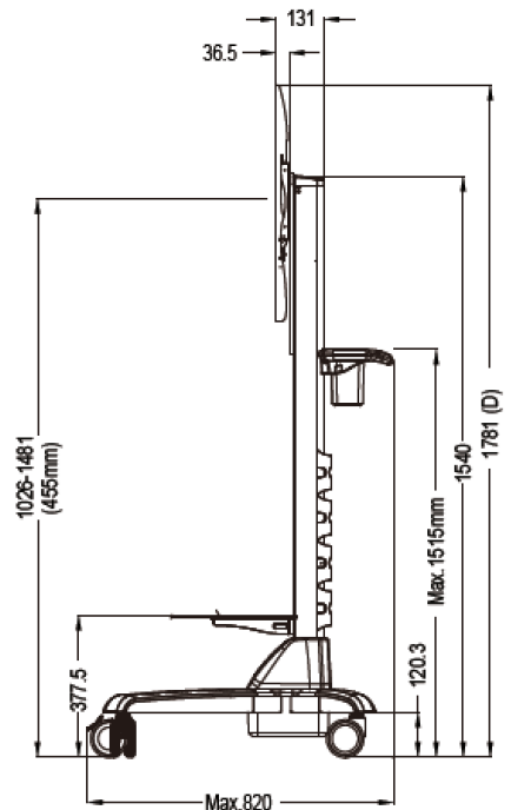
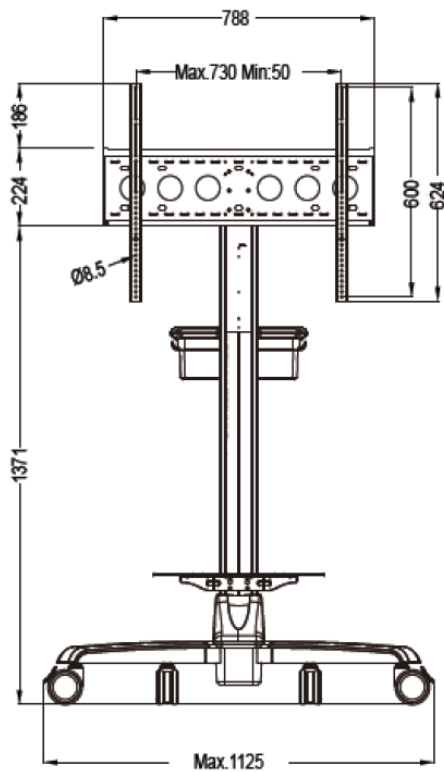
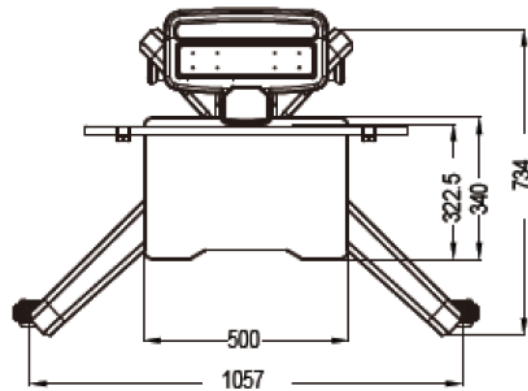
Material	SECC
Caster	4 (front 2 braking)



Optional Accessories (Cart)



Net Weight	32.5 KG
Packaged Dimension	W1545xD383xH392 mm
Screw Type	M4/M5/M6/M8
Material	Aluminum /Plastic/Steel
Max. Mount Pattern	800x600mm
Max. Weight Load	30 KG
Caster	4 (front 2 braking)
Height Adjust Range	500 mm
RoHS/REACH Compliance	Yes



Packing Information



Dimensions of Carton	1280x840x230 mm
Net Weight	≤26.3 KG
Gross Weight	≤32.1 KG