



# Product Specifications

<b>Customer</b>	
<b>Model</b>	<b>NTI420 V001</b>



Records of Revision			
<b>Vision</b>	<b>Modifying</b>	<b>Old Description</b>	<b>New Description</b>
v1510.1	Preliminary Specifications		
v1510.2	Format Updated		
<b>v1510.3</b>	<b>Format Updated</b>		



## Features

- ★ 42" 16:9 ,1920x1080 (Full-HD) Resolution
- ★ VA Wide Viewing Angel 178°/178°
- ★ I.R. Touch Option
- ★ 7H Hardness Tempered Cover Glass
- ★ 10 points Multi-touch
- ★ Metal Cabinet with Diverse Combine Options
- ★ Made in Taiwan, 3 Years Warranty
- ★ Designed for Harsh Environments
- ★ Media Play by USB Drive. (PC free!)



PSE



BSMI



FCC



CE



RoHS



ISO9001



## Display Specifications

Model Name	<b>NTI420X0XXXXA-001 *</b>	Display Mode	<b>VA Mode, Normally Black</b>
Screen Diagonal	<b>42.02 inch</b>	Response Time	<b>6.5 msec.</b>
Display Area	<b>930.24x523.26 mm</b>	Backlight Unit	<b>LED (white LED)</b>
Resolution	<b>1920x1080 (FHD)</b>	Viewing Angle (L/R, U/D)	<b>178°/178° (CR≥10)</b>
Contrast Ratio	<b>3000:1</b>	Backlight Lifetime	<b>30000 HRS</b>
Display Ratio	<b>16:9</b>	Operating Temp.	<b>0~50°C</b>
Support Color	<b>1073M Colors</b>	Storage Temp.	<b>-20~60°C</b>
Pixel Pitch	<b>0.4845x0.4845 mm</b>	Surface Treatment	<b>Anti-glare Haze 2%, 3H</b>

\* Depends on options.

## Display Input

Connectors	Description	Connectors	Description
VGA	<b>15pin D-Sub x1</b>	DVI	<b>DVI-I x1</b>
HDMI	<b>HDMI 1.4 x2</b>	USB	<b>USB Type A x1 *</b>

\* For media playing function by using USB drives, plays the media files automatically.

Supported Media Format	
Movie	<b>avi, mpg, dat, vob, mov, mkv, rm, rmvb, mp4, mjpeg, ts, trp, wmv, asf, flv</b>
Picture	<b>Jpg, bmp, png</b>
Music	<b>mp3, m4a</b>

### Notes

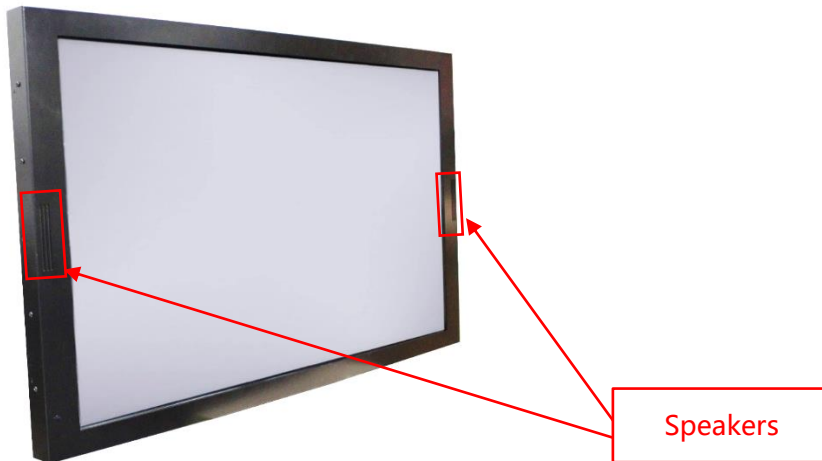
1. Media playing function by using USB driver isn't supporting touch function.
2. Touch function requires a PC, Android or Linux device.
3. Media playing function requires an USB Drive only. (without PC)

## Accessories

Item	Description	Quantity
HDMI Cable	<b>HDMI Male to Male, 1.5 Meter</b>	<b>1</b>
Power cord	<b>*Country Specific</b>	<b>1</b>
USB Cable	<b>A type, Male to Male, 1.5 Meter *(only for touch monitor)</b>	<b>1</b>

## Audio System

	Description	Connector
Audio Input	Stereo	TRS Connector $\Phi$ 3.5mm (Earphone Jack)
Speakers	10W x2	



## Brightness Options

Item	Brightness	Model No.
Standard	350 nits	NTI420X0XXNXA-001
High brightness	700 nits	NTI420X0XXHXA-011

\* Check the data sheet NTI420 V011

## Cabinet Options

	Description	Model Name
Standard	Galvanized steel (SECC)	NTI420X0XXXSA-001
Option 1	Stainless Steel	NTI420X0XXXLA-001
Option 2	Aluminum	NTI420X0XXXAA-001

## Supported OS

Windows	Win10, Win8, Win7 , Vista, XP, Embedded XP, Win2000, CE.NET 4.x ↑
Linux	Kernel 2.6.24 ↑
Android	3.0 ↑
Mac	10.5.x ↑ (Intel CPU)



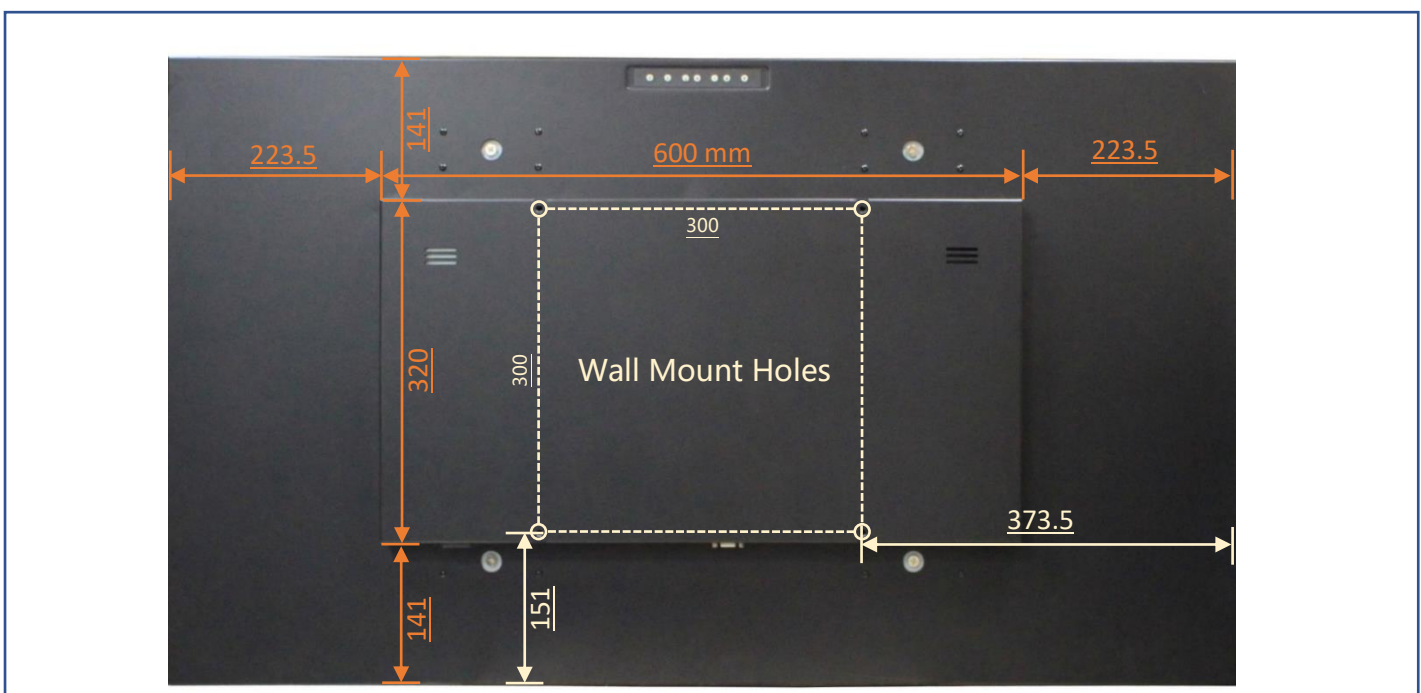
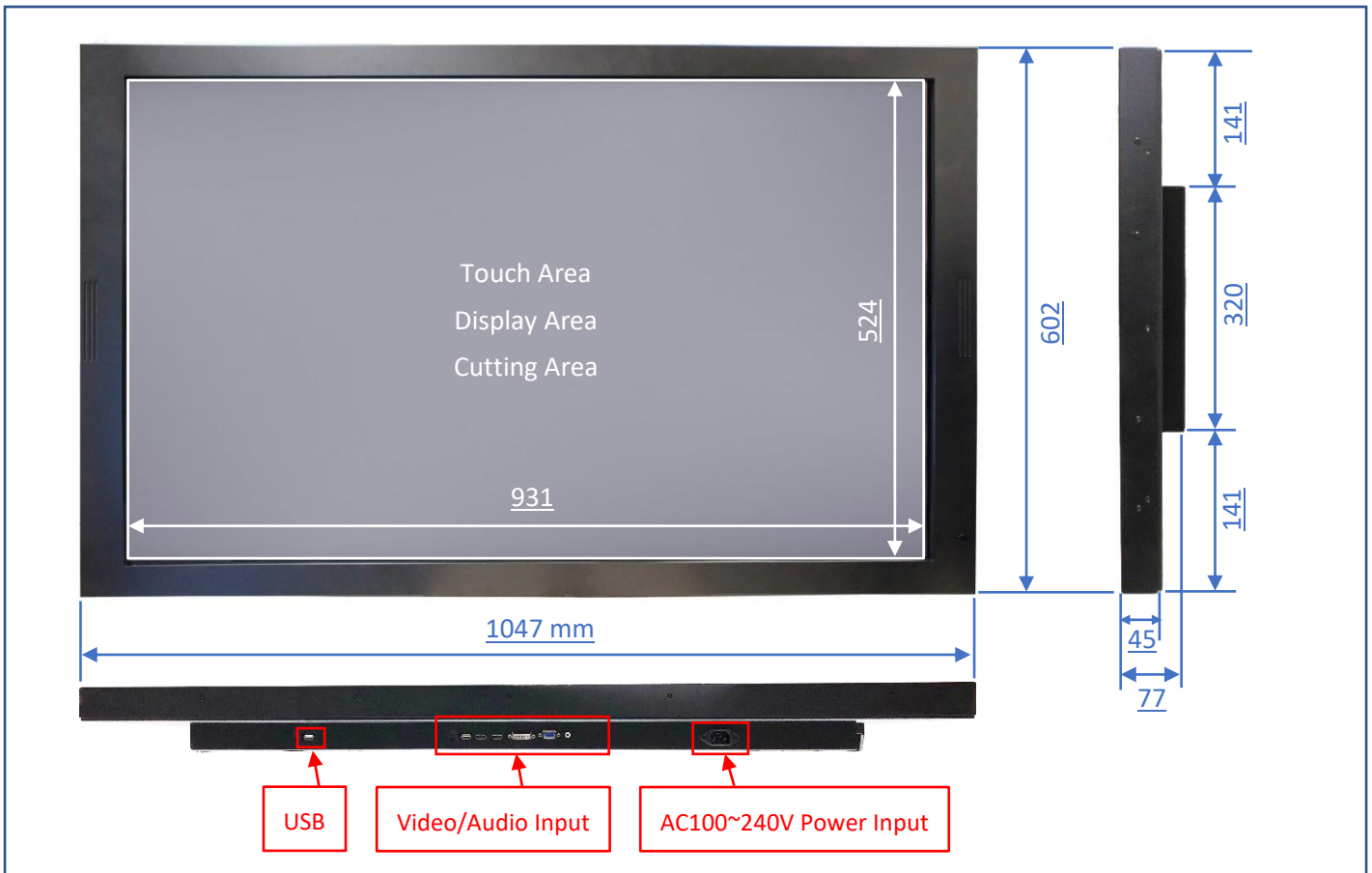
## Touch Options

Non-Touch			
Model No.	NTI420 <u>0</u> XXXXXA-001		

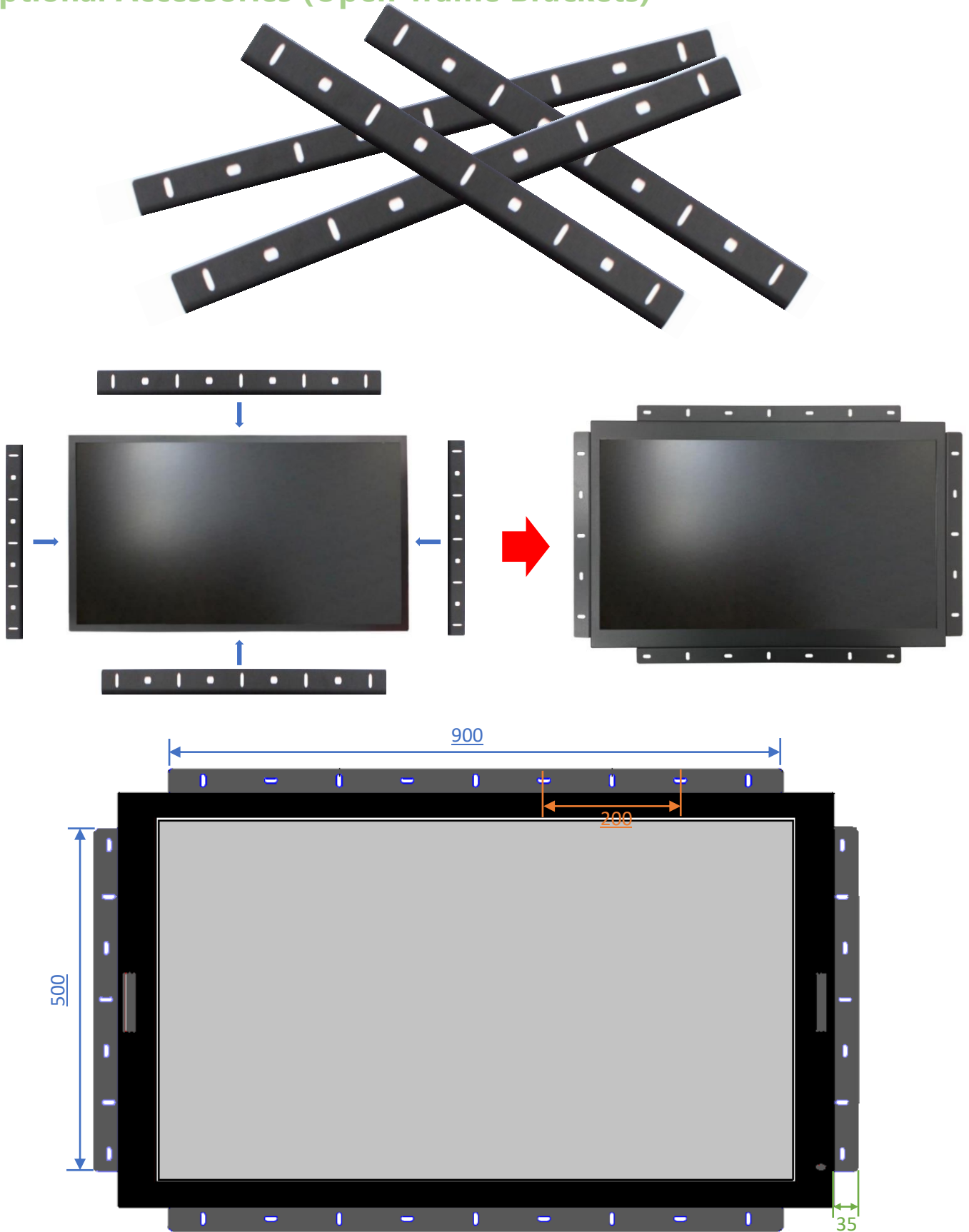
I.R. Touch			
Model No.	NTI420 <u>I</u> XXXXXA-001	Transparency	≥92%
Touch Technology	I.R. Touch	Accuracy	99.00%
Allowed Touch Points	10 points	Thickness of Cover Lens	4.0±0.2mm
Interface	USB	Hardness of Cover Lens	7H

## Physical Specifications

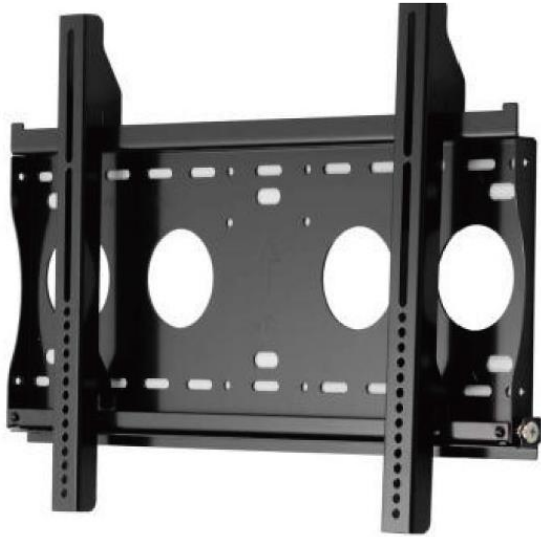
Dimension (Max)	<b>1047x602x77(±1)mm</b>	Net Weight	<b>≤30 KG</b>
VESA Mounting	<b>300x300 mm</b>	Gross Weight	<b>≤36 KG</b>



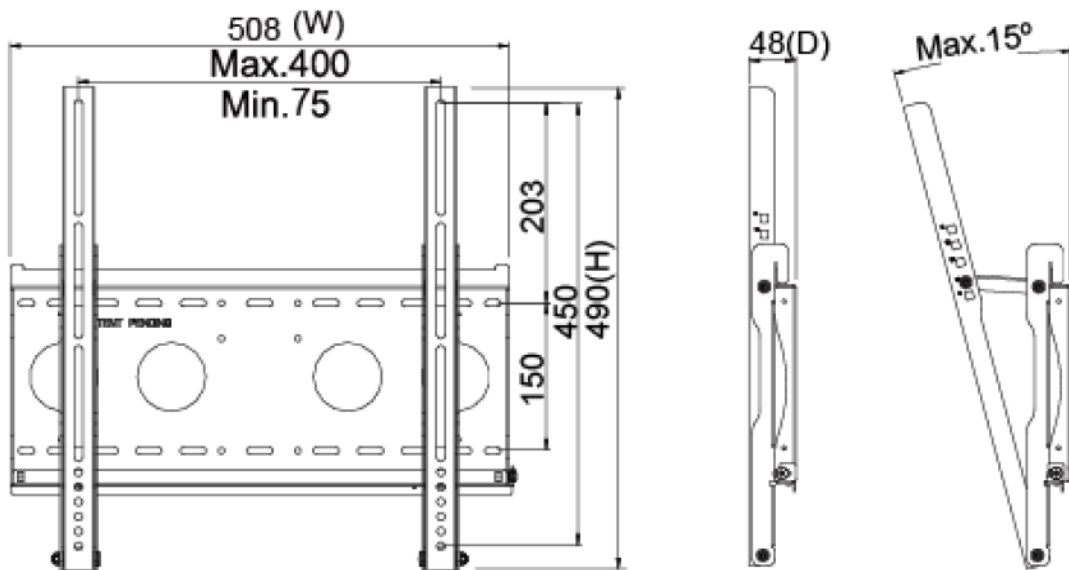
### Optional Accessories (Open-frame Brackets)



## Optional Accessories (Wall Mount Bracket)



Part No.	<b>WMB-B001</b>		
Mounting Pattern	<b>Max. 400x450 mm</b>	Dimension (WxHxD)	<b>508x490x48 mm</b>
Material	<b>SECC</b>	Net Weight	<b>4.01 KG</b>
Tilt (Hinge)	<b>0°/5°/10°/13°/15°</b>	Support Max. Weight	<b>80 KG</b>
Screw Type	<b>M4/M5/M6/M8</b>	Min. Distance to The Wall	<b>48 mm</b>



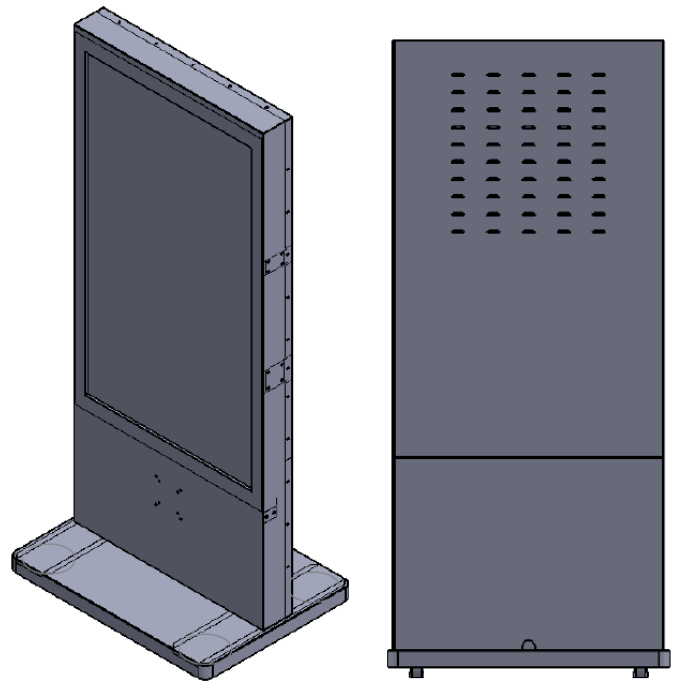




## Optional Accessories (KIOSK Cabinet)



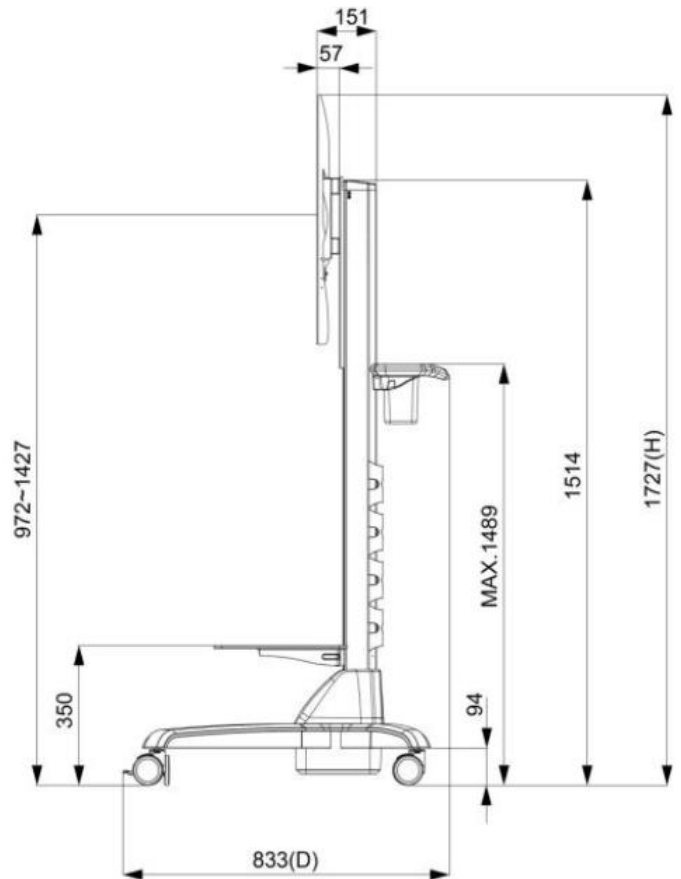
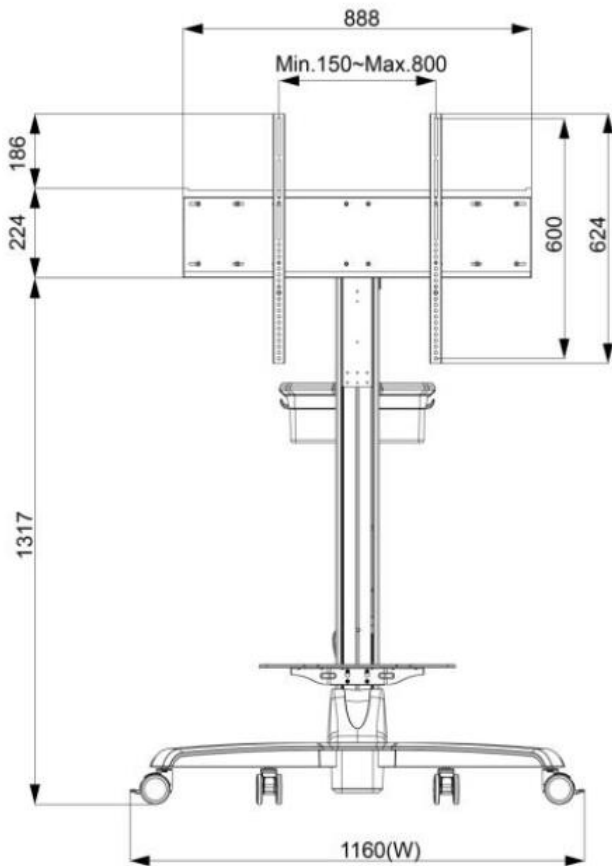
Material	<b>SECC</b>
Caster	<b>4 (front 2 braking)</b>



## Optional Accessories (Cart)



Net Weight	<b>32.5 KG</b>
Packaged Dimension	<b>W1160xD833xH1727 mm</b>
Screw Type	<b>M4/M5/M6/M8</b>
Material	<b>Aluminum /Plastic/Steel</b>
Max. Mount Pattern	<b>800x600mm</b>
Max. Weight Load	<b>10~30 KG</b>
Caster	<b>4 (front 2 braking)</b>
Height Adjust Range	<b>500 mm</b>
RoHS/REACH Compliance	<b>Yes</b>



## Packing Information



Dimensions of Carton	<b>1170x750x280 mm</b>
Net Weight	<b>≤ 30 KG</b>
Gross Weight	<b>≤ 36 KG</b>