



DLD2708-B V1

27" TFT LCD, LED Backlight 1600nits, FHD(1920x1080)

The DLD2708-B is a 27 inch industrial grade sunlight readable LCD, with high brightness 1600 nits and high color saturation, it produce sharp images, crisp text and lifelike colors. The Durapixel LED backlight technology ensures high reliability and low power consumption, suitable for outdoor application, kiosk, factory automation, military, transportation and gaming application.

Key Features

- High Brightness 1600 nits
- Sunlight Readable
- LED Backlight
- Low Power Consumption
- Slim Bezel
- BL MTBF: 100,000 hours



Specifications

Model Name	DLD2708-B V1
Description	27" TFT LCD, LED Backlight 1600 nits, FHD (1920x1080)
Screen Size	27"
Display Area (mm)	597.888 (H) x 336.312(V)
Brightness	1600 cd/m ²
Resolution	1920x1080
Aspect Ratio	16 : 9
Contrast Ratio	1000 : 1
Pixel Pitch (mm)	0.3114(H) x 0.3114(V)
Pixel Per Inch (PPI)	81
Viewing Angle	178°(H),178°(V)
Color Saturation (NTSC)	81%
Display Colors	16.7M
Response Time (Typical)	14ms
Panel Interface	LVDS
AD Board Input Interface	VGA, DVI-D, DP
Input Power	DC12V
Power Consumption	62W
OSD Key	4 Keys (Power Switch, Menu, +, -)
OSD Control	Brightness, Color, Contrast, Auto Turing, H/V Position...etc
Dimensions (mm)	625 x 363.5 x 45.1
Bezel Size(U/B/L/R)	11.5/11.5/11.5/11.5 mm
Weight (Net)	6.2kg
Mounting	200x100, 100x100
Operating Temperature	0 °C ~ 50 °C
Storage Temperature	-20 °C ~ 60 °C

DLD= Panel+ LED Driving Board + AD Control Board + Housing

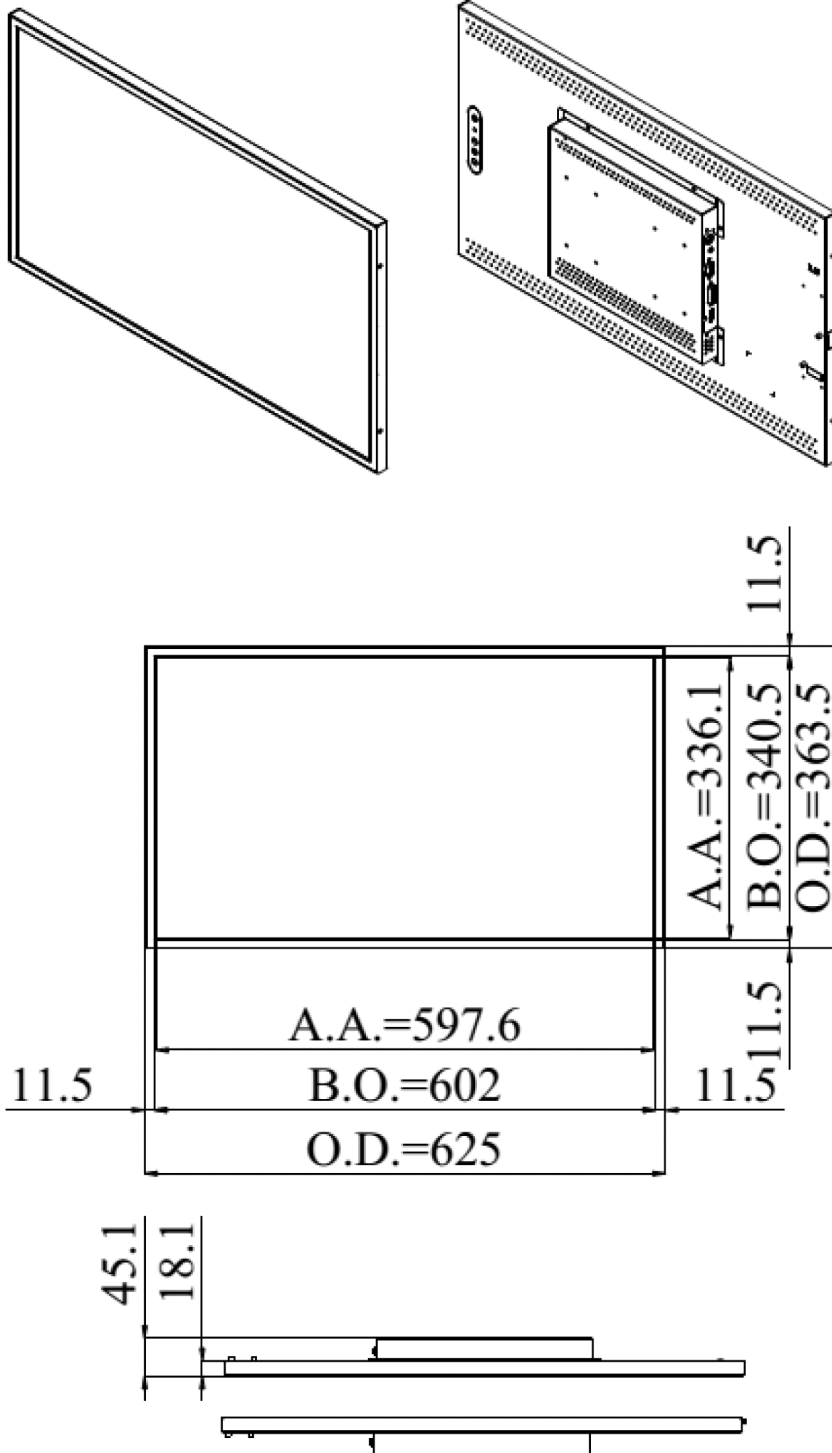
Specifications are subject to change without notice.
All brands or product names are trademarks or registered trademarks of their respective companies.

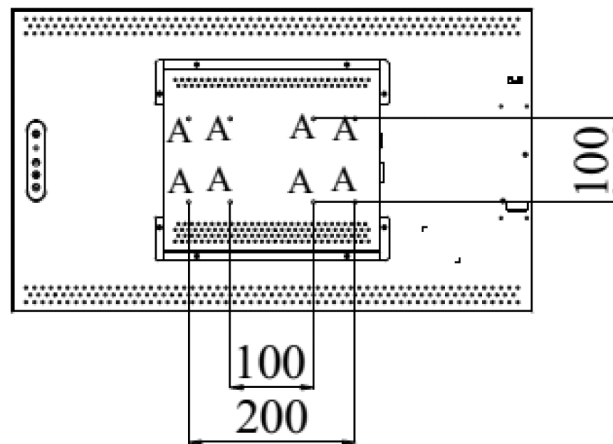
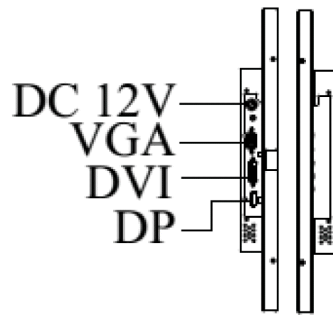


Mechanical Drawing

Outline Dimensions

Unit: mm





NOTE :

O.D. : OUTLINE DIMENSION

B.O. : BEZEL OPENING

A.A. : LCD ACTIVE AREA

A : 8-M4_USER HOLE_MAX. DEPTH= 6 mm

Ordering Information

Part Number	Description
DLD2708-BNB-I01	27",1600nits,FHD,LID27A,AD6038GDP,O/B,DC12V,3in1,V1

Optional Accessories

Part Number	Description
840612111201	ADAPTER.12V.10A.120W.G99-CAD120F-N002.POWER DIN,P
810618301010	CABLE.POWER.AC.1830mm USA type
810618301090	CABLE,POWER,AC,1830mm Europe type
810618301050	CABLE.POWER.AC.1830mm UK type
810618301170	CABLE.POWER,AC,1830mm Australia type
810618301031	CABLE.POWER.AC.1830mm Japan type

By Customer Request

Touch	PCT (Multi-Touch)
Glass	Tempered glass, AR coating.....

製品のお見積り・お問い合わせは
株式会社プラズモニックジャパン までご連絡ください。
連絡先 : (045) 663 1402 メール : info@plazmonic.jp