



SSD3685-I V1

36.8" Resizing LCD, 1000 nits LED backlight, 1920 x 358 ultra-wide aspect ratio 16:2.9

The SSD3665-I is a 36.8" multi-color TFT-LCD display with a stretched display aspect ratio 16:2.9 and high resolution of 1920 x 358. Part of Litemax Spanpixel series, SSD3685-I is with high brightness of 1000 nits and energy-efficient LED backlight. SSD3685-I is perfect for vertical markets including digital signage, public transportation, exhibition hall, department store, vending machine and many more.

Key Features

- 36.8" resizing LCD
- Stretched display (aspect ratio of 16 : 2.9)
- Sunlight readable, high brightness (1,000 nits)
- Resolutions: 1920 x 385
- Slim bezel
- BL MTBF: 100,000 hours



Specifications

Model Name	SSD3685-I V1
Description	36.8" Resizing LCD, 1000 nits LED backlight, 1920x358
Screen Size	36.8"
Display Area (mm)	919.3(H) x 171.4(V)
Brightness	1000 cd/m ²
Resolution	1920x358
Aspect Ratio	16 : 2.9
Contrast Ratio	7600 : 1
Pixel Pitch (mm)	0.4788(H) x 0.4788(V)
Pixel Per Inch (PPI)	52
Viewing Angle	178°(H), 178°(V)
Color Saturation (NTSC)	81%
Display Colors	16.7M
Response Time (Typical)	9.5ms
Panel Interface	LVDS
AD Board input Interface	VGA, DVI-D, HDMI
Input Power	DC12V
Power Consumption	27W
OSD Key	4 Keys (Power Switch, Menu, +, -)
OSD Control	Brightness, Color, Contrast, Auto Turing, H/V Position...etc
Dimensions (mm)	962.8x 210.1 x 56.2
Bezel Size(U/B/L/R)	16.6/16.6/19.25/19.25 mm
Weight (Net)	6.3 kg
Mounting	VESA 75x75mm, 400X75mm,
Operating Temperature	0 °C ~ 50 °C
Storage Temperature	-20 °C ~ 60 °C
Product Approval	CE, FCC

SSD= Panel+ LED Driving Board + AD Control Board + Housing

Specifications are subject to change without notice.

All brands or product names are trademarks or registered trademarks of their respective companies.

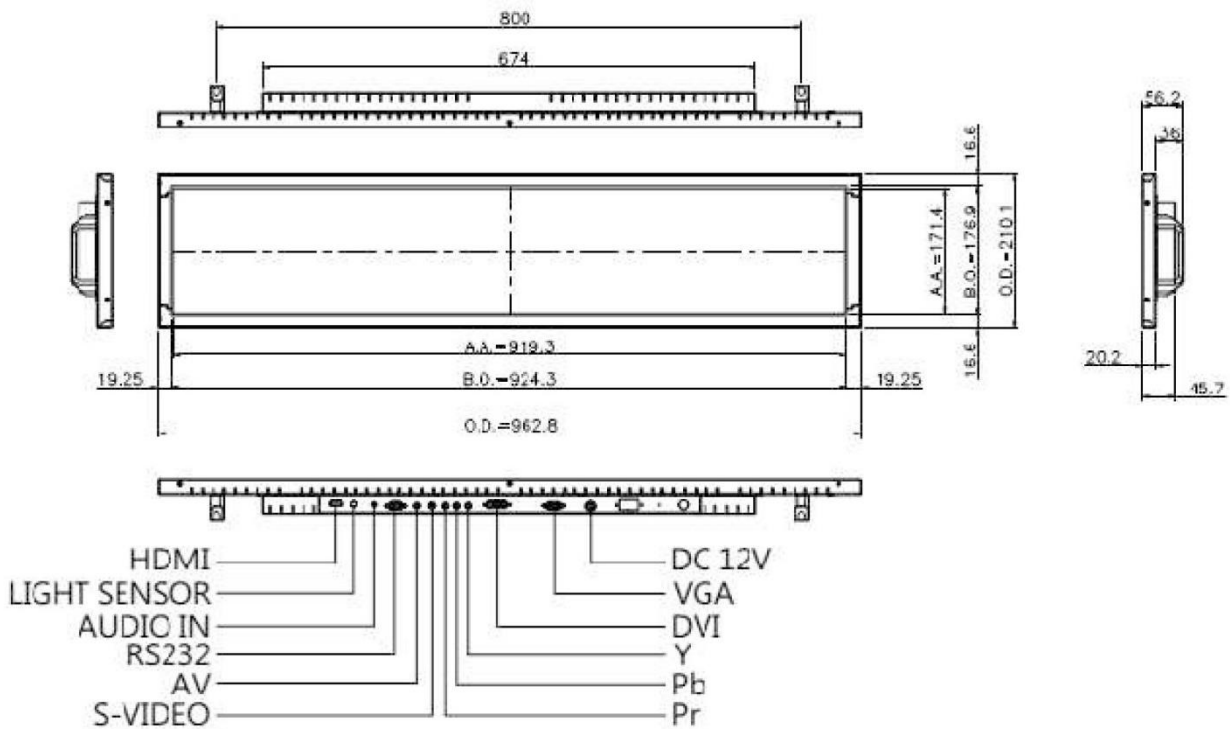
Mechanical Drawing

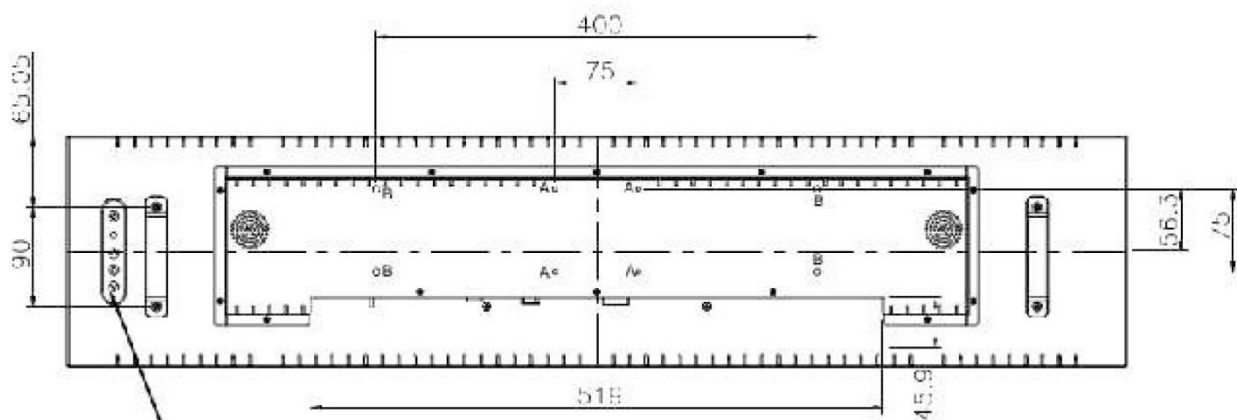
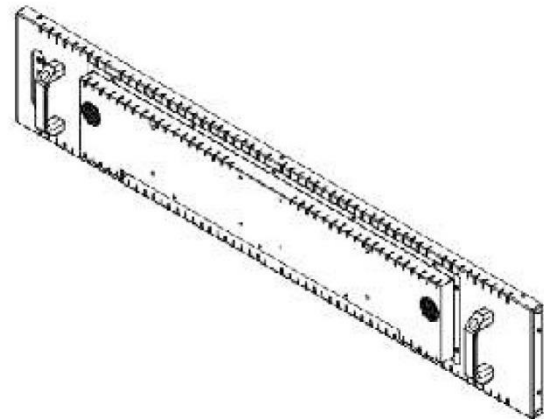
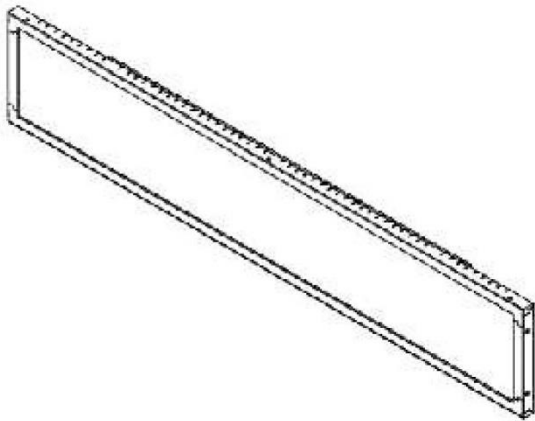


Outline Dimensions

Unit: mm

O.D. : Outline Dimension
 B.O. : Bezel Opening
 A.A. : LCD Active Area
 A : 4 M4_USER HOLE_MAX_DEPTH=5mm
 B : 4-M6_USER HOLE_MAX_DEPTH=5mm





MEMBRANE 4-KEY

**Ordering Information**

Part Number	Description
SSD3685-INB-G01	36.6",1000nits,1920*358,LID36A,AD2662GDHM,O/B,DC12V,2in1,V1

Optional Accessories

Part Number	Description
840612051210	ADAPTER,AC/DC,12V/5.4A,65W,Atech OEM A065112-TDx.4P SLIDING CAP,P
810618301010	CABLE.POWER.AC.1830mm USA type
810618301090	CABLE,POWER,AC,1830mm Europe type
810618301050	CABLE.POWER.AC.1830mm UK type
810618301170	CABLE.POWER.AC,1830mm Australia type
810618301031	CABLE.POWER.AC.1830mm Japan type

By Customer Request

Glass	Tempered glass, AR coating.....
-------	---------------------------------

製品のお見積り・お問い合わせは
株式会社プラズモニクジャパン までご連絡ください。
連絡先：(045) 663 1402 メール：info@plazmonic.jp