



DLD2435-A 24" TFT LCD, 1000nits LED Backlight, 1920x1080

The DLD2435-A is a 24 inch industrial grade LCD, with brightness 1000 nits, it produces sharp images, crisp text and lifelike colors. The Durapixel LED backlight technology ensures high reliability and low power consumption, suitable for kiosk, factory automation, transportation and gaming application.

Key Features

- Sunlight Readable
- LED Backlight
- High Brightness 1000 nits
- Wide Viewing Angle
- Low Power Consumption
- MTBF: 70,000 hours



Specifications

Model Name	DLD2435-A
Description	24" TFT LCD, 1000nits LED Backlight, 1920x1080
Screen Size	24"
Display Area (mm)	531.35(H) x 298.89(V)
Brightness	1000 cd/m ²
Resolution	1920x1080
Aspect Ratio	16 : 9
Contrast Ratio	4100 : 1
Pixel Pitch (mm)	0.276(H) x 0.276(V)
Pixel Pre Inch (PPI)	92
Viewing Angle	178°(H),178°(V)
Color Saturation (NTSC)	83%
Display Colors	16.7M
Response Time (Typical)	12ms
Panel Interface	LVDS
Input Interface	VGA, DVI-D, HDMI
Input Power	DC12V
Power Consumption	54.48W
OSD Key	4 Keys (Power Switch, Menu, +, -)
OSD Control	Brightness, Color, Contrast, Auto Turing, H/V Position...etc
Dimensions (mm)	558.52(H) x 326.28(V) x 36.54(T)
Bezel Size(U/B/L/R)	13.35/14.04/13.58/13.59 mm
Mounting	75x75, 100x100
Weight (Net)	4.5kg
Operating Temperature	0 °C ~ 50 °C
Storage Temperature	-20 °C ~ 60 °C

DLD= Panel + LED Driving Board + AD Control Board + Housing

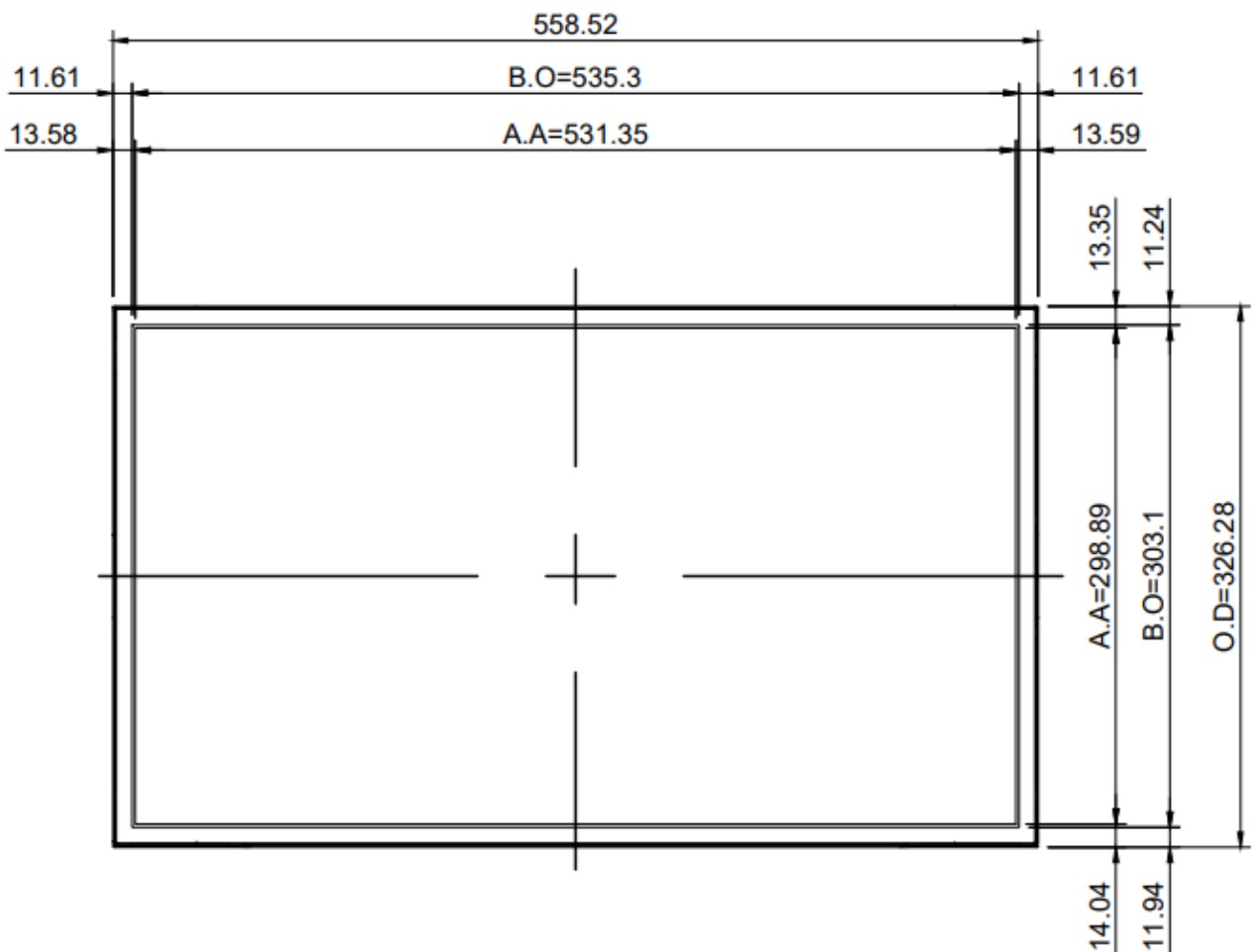
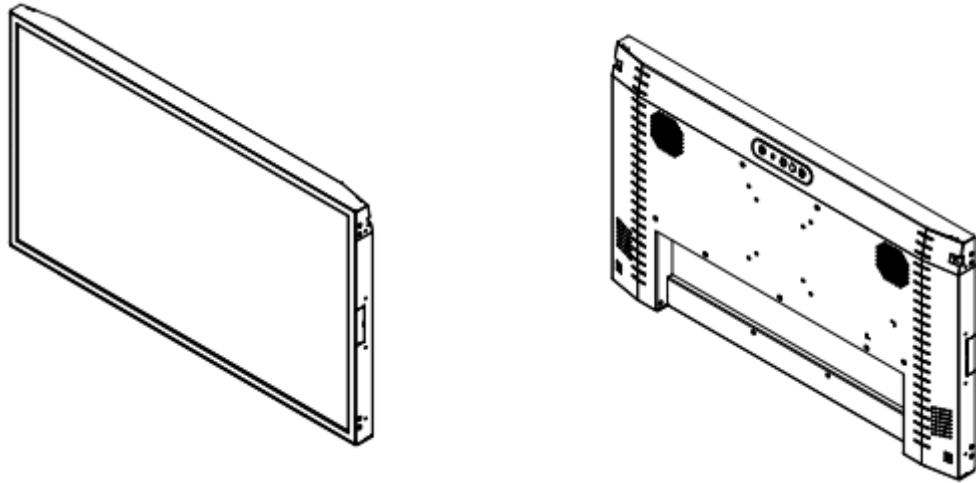
Specifications are subject to change without notice.
All brands or product names are trademarks or registered trademarks of their respective companies.

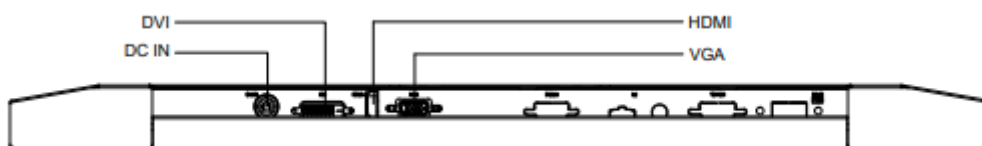
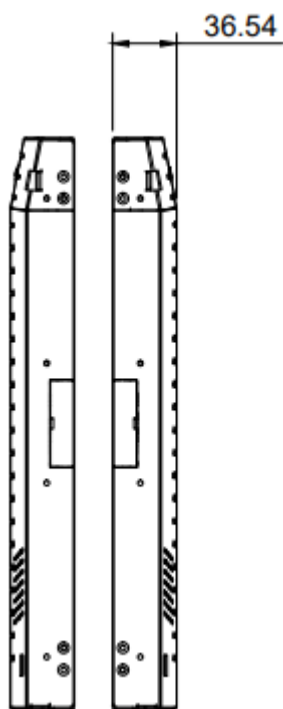
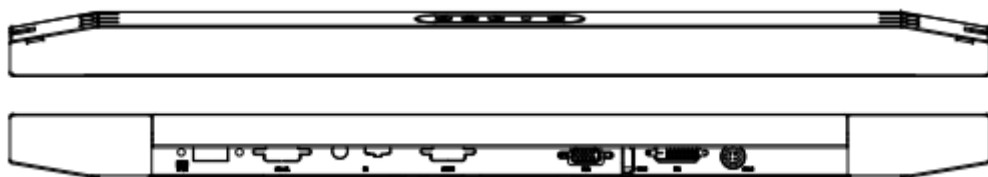


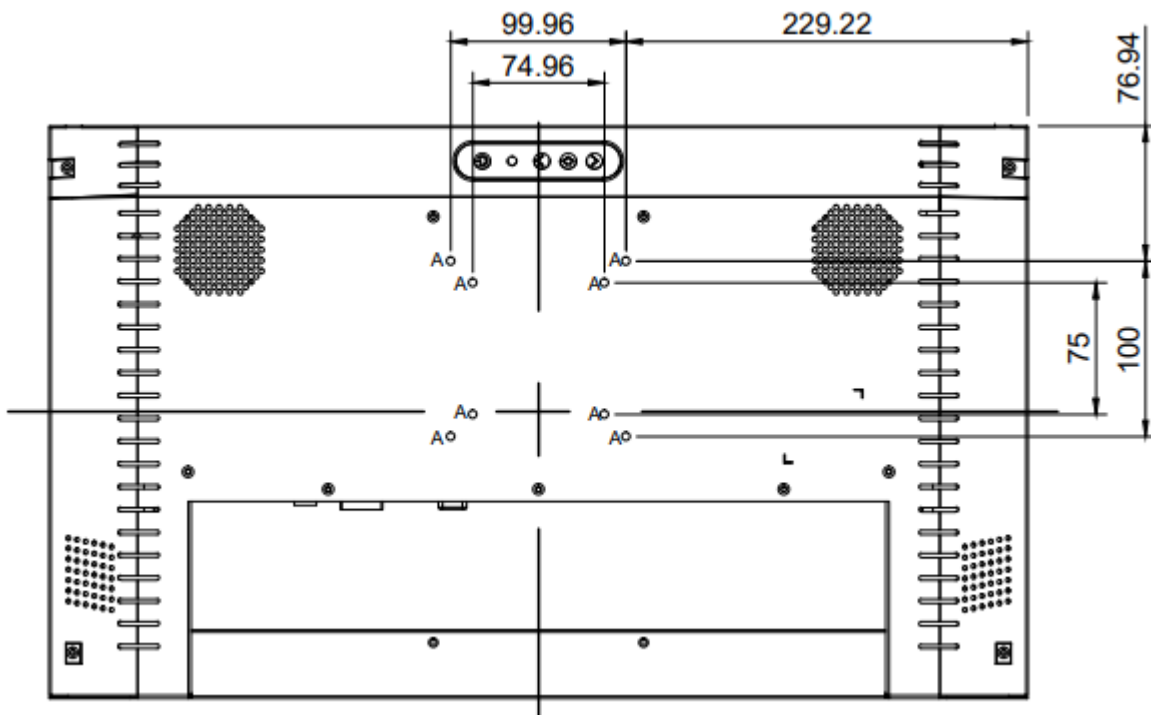
Mechanical Drawing

Outline Dimensions

Unit:mm







NOTE :
 O.D : OUTLINE DIMENSION
 B.O : BEZEL OPENING
 A.A : LCD ACTIVE AREA
 A : 8-M4_USER_HOLE_MAX. DPETH=4mm

Ordering Information

Part Number	Description
DLD2435-ANB-Q01	24",1000nits,1920x1080,LID24C.AD8891GDH,O/B,DC12V,3in1,V1

Optional Accessories

Part Number	Description
810618301010	CABLE,POWER,AC,1830mm USA type
810618301090	CABLE,POWER,AC,1830mm Europe type
810618301050	CABLE,POWER,AC,1830mm UK type
810618301170	CABLE,POWER,AC,1830mm Australia type
810618301031	CABLE,POWER,AC,1830mm Japan type

Customer request

Touch	SCT (Single-Touch), PCT (Multi-Touch)
Glass	Tempered glass, AR coating.....

製品のお見積り・お問い合わせは
 株式会社プラズモニックジャパンまでご連絡下さい。

✉ info@plazmonic.jp ☎ 045(663)1402