



SLD0765-I / SLO0765-I V1

7" TFT LCD, LED Backlight 1000nits,1024x600

The SLD/SLO0765-I is a 7 inch industrial grade sunlight readable LCD, with high brightness 1,000 nits and high color saturation, it produce sharp images, crisp text and true colors. The Durapixel LED backlight technology ensures high reliability and low power consumption, suitable for outdoor application, kiosk, factory automation, military, transportation and gaming application.

Key Features

- High Brightness 1000 nits
- Sunlight Readable
- LED Backlight
- Low Power Consumption
- Wide Operation Temperature
- Slim Bezel
- BL MTBF: 70,000 hours



Specifications

Model Name	SLD0765-I / SLO0765-I V1
Description	7" TFT LCD Monitor, LED Backlight 1,000nits,1024x600
Screen Size	7"
Display Area (mm)	154.21(H) x 85.92(V) mm
Brightness	1000 cd/m ²
Resolution	1024 x 600
Aspect Ratio	16 : 9
Contrast Ratio	900 : 1
Pixel Pitch (mm)	0.1506(H) x 0.1432(V)
Pixel Pre Inch (PPI)	170
Viewing Angle	150°(H), 145°(V)
Color Saturation (NTSC)	81%
Display Colors	16.7M
Response Time (Typical)	25 ms
Video Interface	VGA,DVI-D,HDMI
Input Power	DC12V
Power Consumption	11.8W
Dimensions (mm)	(SLD)190.4x128.4x41.5 mm , (SLO)220.4x128.4x41.5 mm
Bezel Size(U/B/L/R)	18.88/22.03/17.7/17.49 mm
Weight (Net)	(SLD)0.95kg , (SLO)1 kg
Mounting	VESA 75x75 mm
OSD Key	4 Keys (Power Switch, Menu, +, -)
OSD Control	Brightness, Color, Contrast, Auto Turing, H/V Position...etc
Operating Temperature	-20 °C ~ 70 °C
Storage Temperature	-30 °C ~ 80 °C
Product Approval	CE,FCC

SLD = Panel+ LED Driving Board + AD Control Board + Case

SLO = Panel+ LED Driving Board + AD Control Board + Case + Bracket

Specifications are subject to change without notice.

All brands or product names are trademarks or registered trademarks of their respective companies.

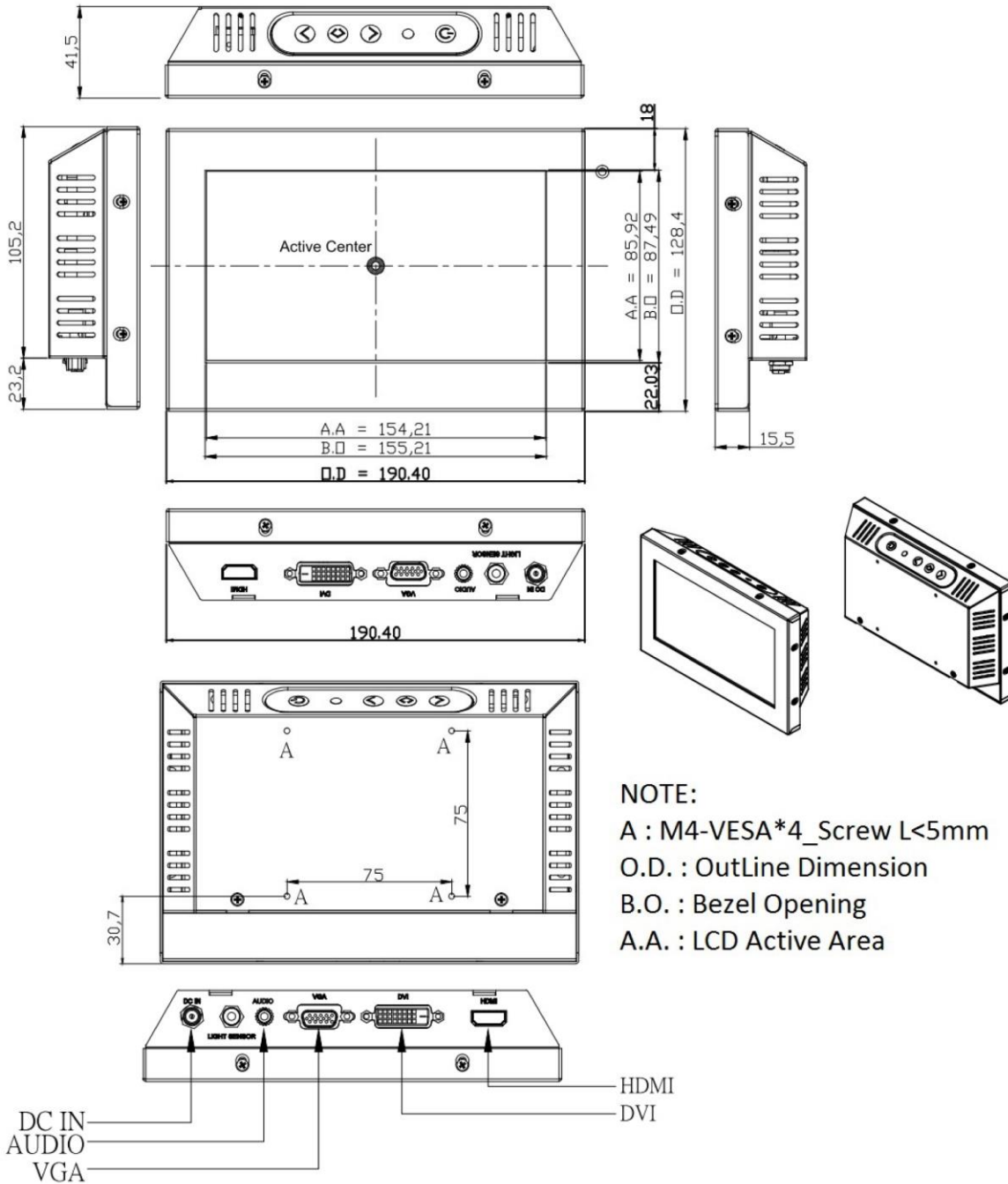


Mechanical Drawing

Outline Dimensions

Unit: mm

SLD0765-I:

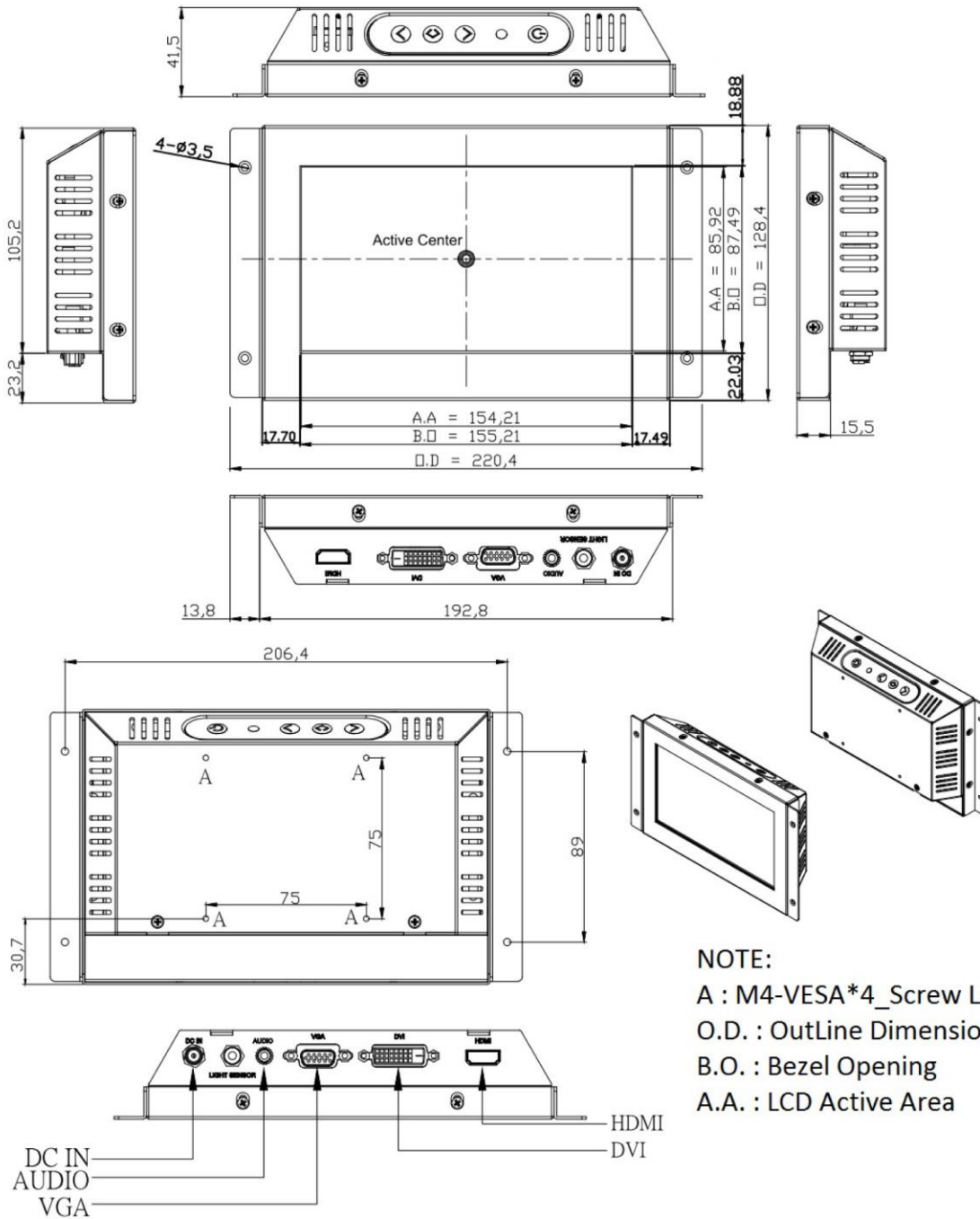




Outline Dimensions

Unit: mm

SLO0765-I:





Ordering Information

Part Number	Description
SLD0765-INB-G01	7",1000nits,1024*600,LID7B,AD2662GDHMA,O/B,speaker 2W*2,DC12V,5in1,V1
SLO0765-INB-G01	7",1000nits,1024*600,LID7B,AD2662GDHMA,O/B,speaker 2W*2,DC12V,5in1,V1

Optional Accessories

Part Number	Description
810618301010	CABLE.POWER.AC.1830mm USA type
810618301090	CABLE,POWER,AC,1830mm Europe type
810618301050	CABLE.POWER.AC.1830mm UK type
810618301170	CABLE.POWER,AC,1830mm Australia type
810618301031	CABLE.POWER.AC.1830mm Japan type

By Customer Request

Touch	Resistive (Single-Touch), SCT (Single-Touch), PCT (Multi-Touch)
AOT	Liquid Bonding, OCA Bonding
Glass	Tempered glass, AR coating.....
DC to DC	DC9~36V input

製品のお見積り・お問い合わせは
株式会社プラズモニクジャパン までご連絡ください。
連絡先：(045) 663 1402 メール：info@plazmonic.jp