



## DPD2118-ENB-Q01 21.5" TFT LCD, 1600 nits LED Backlight, 1920x1080

The DPD2118-ENB-Q01 is a 21.5 inch industrial grade sunlight readable LCD, with high brightness 1600 nits, it produce sharp images, crisp text and lifelike colors. The Durapixel LED backlight technology ensures high reliability and low power consumption, suitable for outdoor application, kiosk, factory automation, military, transportation and gaming application.

### Key Features

- High Brightness 1600 nits
- Sunlight Readable
- LED Backlight
- Low Power Consumption
- BL MTBF: 100,000 hours



### Specifications

<b>Model Name</b>	<b>DPD2118-ENB-Q01</b>
<b>Description</b>	21.5" TFT LCD, 1600 nits LED Backlight, 1920x1080
<b>Screen Size</b>	21.5"
<b>Display Area (mm)</b>	476.64(H) x 268.1(V)
<b>Brightness</b>	1600 cd/m <sup>2</sup>
<b>Resolution</b>	1920x1080
<b>Aspect Ratio</b>	16 : 9
<b>Contrast Ratio</b>	1100 : 1
<b>Pixel Pitch (mm)</b>	0.24825(H) x 0.24825(V)
<b>Pixel Per Inch (PPI)</b>	102
<b>Viewing Angle</b>	170°(H),160°(V)
<b>Color Saturation (NTSC)</b>	83%
<b>Display Colors</b>	16.7M
<b>Response Time (Typical)</b>	5ms
<b>Panel Interface</b>	LVDS
<b>Input Interface</b>	VGA, DVI-D, HDMI
<b>Input Power</b>	DC12V
<b>Power Consumption</b>	40W
<b>OSD Key</b>	4 Keys (Power Switch, Menu, +, -)
<b>OSD Control</b>	Brightness, Color, Contrast, Auto Turing, H/V Position...etc
<b>Dimensions (mm)</b>	500.2 x 294.6 x 35.5 mm
<b>Bezel Size(U/B/L/R)</b>	13.3/13.2/11.8/11.8 mm
<b>Weight (Net)</b>	5kg
<b>Mounting</b>	75x75, 100x100
<b>Operating Temperature</b>	0 °C ~ 50 °C
<b>Storage Temperature</b>	-20 °C ~ 60 °C

DPD= Panel + LED Driving Board + AD Control Board + Housing

*Specifications are subject to change without notice.*

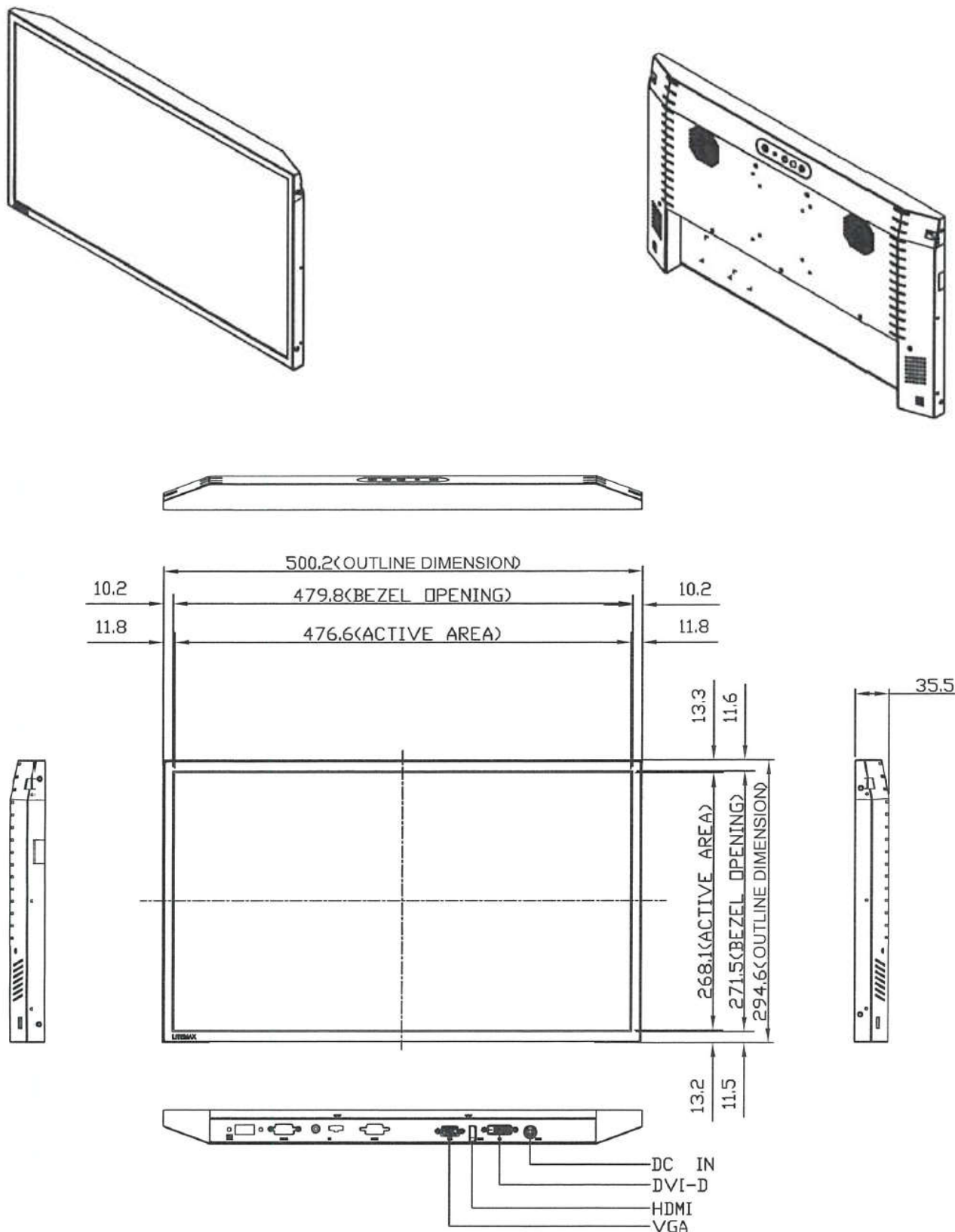
*All brands or product names are trademarks or registered trademarks of their respective companies.*

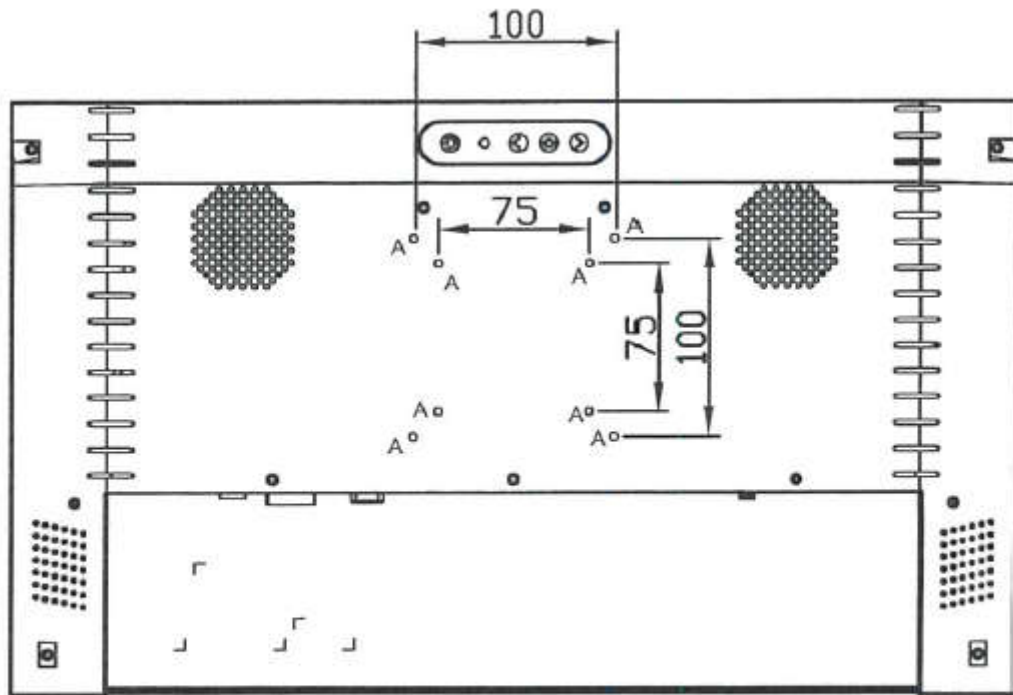


## Mechanical Drawing

### Outline Dimensions

Unit: mm





NOTE :

A : 8-M4\_USER\_HOLE\_MAX. DEPTH=4mm



### Ordering Information

Part Number	Description
DPD2118-ENB-Q01	21.5",1600nits,1920x1080,LID21C,AD8891GDH,O/B,DC 12V,V1

### Optional Accessories

Part Number	Description
810618301010	CABLE,POWER,AC,1830mm USA type
810618301090	CABLE,POWER,AC,1830mm Europe type
810618301050	CABLE,POWER,AC,1830mm UK type
810618301170	CABLE,POWER,AC,1830mm Australia type
810618301031	CABLE,POWER,AC,1830mm Japan type

### Customer request

Touch	SCT (Single-Touch), PCT (Multi-Touch)
Glass	Tempered glass, AR coating.....